

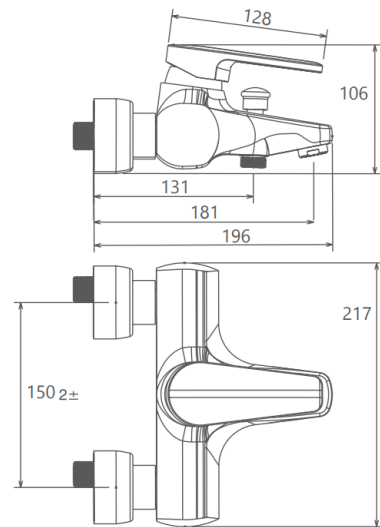
**MODEL NAME LION BATH**

**MODEL NUMBER 201020160005**

**Description**

High heat and pressure resistant ceramic cartridge  
Water saving perlator  
Less surface sedimentation due to special body design  
Fast and easy installation  
Easily cleanable  
Ergonomic structure  
Cartridge size: 40mm  
%100 QC

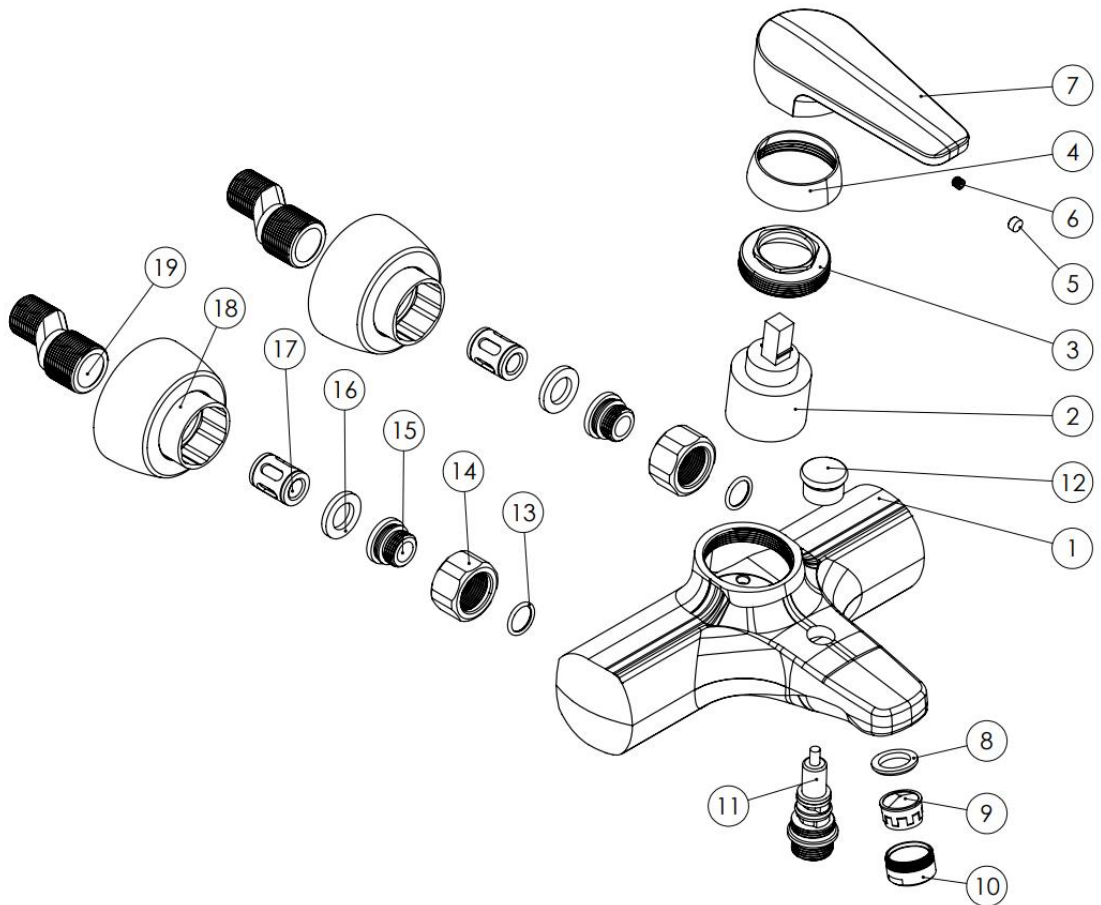
**Scale Drawing**



**MODEL NAME LION BATH**

**MODEL NUMBER 201020160005**

Exploded Drawing



**MODEL NAME LION BATH****MODEL NUMBER 201020160005****Part List**

No.	Item Number	Quantity used
1	304800000181	1
2	120100000017	1
3	120100000026	1
4	121600000005	1
5	121500000003	1
6	120500000099	1
7	305700000220	1
8	120300000025	1
9	121700000002	1
10	313700000002	1
11	120700000006	1
12	305700000164	1
13	120200000019	2
14	315100000002	2
15	123600000003	2
16	120300000037	2
17	127700000009	2
18	309900000022	2
19	122700000001	2