

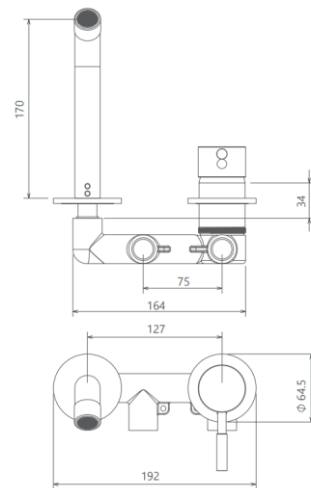
MODEL NAME ROGEN BASIN

MODEL NUMBER 202180381605

Description

High heat and pressure resistant ceramic cartridge
Fast and easy installation
Easily cleanable
Flexible for layout
Less space occupancy
Ergonomic structure
Cartridge size: 35 mm
%100 QC

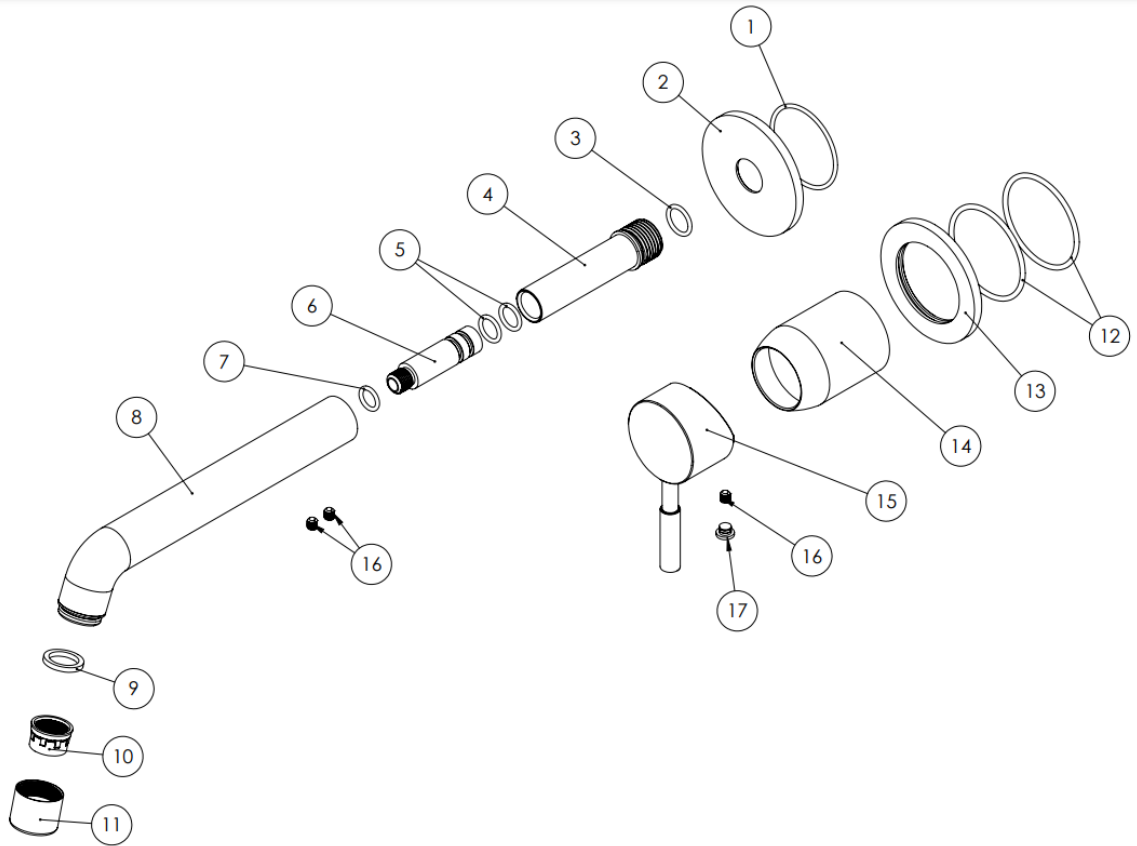
Scale Drawing



MODEL NAME ROGEN BASIN

MODEL NUMBER 202180381605

Exploded Drawing



MODEL NAME ROGEN BASIN**MODEL NUMBER 202180381605****Part List**

| No. | Item Number | Quantity used |
|-----|--------------|---------------|
| 1 | 120200000033 | 1 |
| 2 | 306600000001 | 1 |
| 3 | 120200000020 | 1 |
| 4 | 122100000017 | 1 |
| 5 | 120200000017 | 2 |
| 6 | 122100000018 | 1 |
| 7 | 120200000037 | 1 |
| 8 | 300400000189 | 1 |
| 9 | 120300000029 | 1 |
| 10 | 121700000010 | 1 |
| 11 | 313700000058 | 1 |
| 12 | 120200000067 | 2 |
| 13 | 306900000005 | 1 |
| 14 | 311600000001 | 1 |
| 15 | 305700000225 | 1 |
| 16 | 120500000099 | 3 |
| 17 | 121500000003 | 1 |