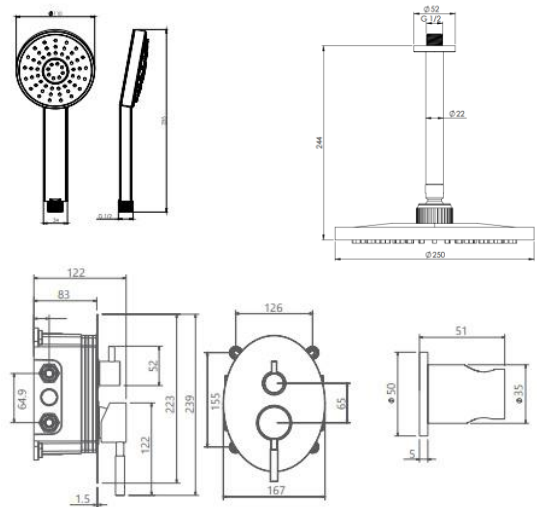


**MODEL NAME ROGEN BATHROOM-TYPE 3 MODEL NUMBER 202150380805**  
**(ABS)**

### Description

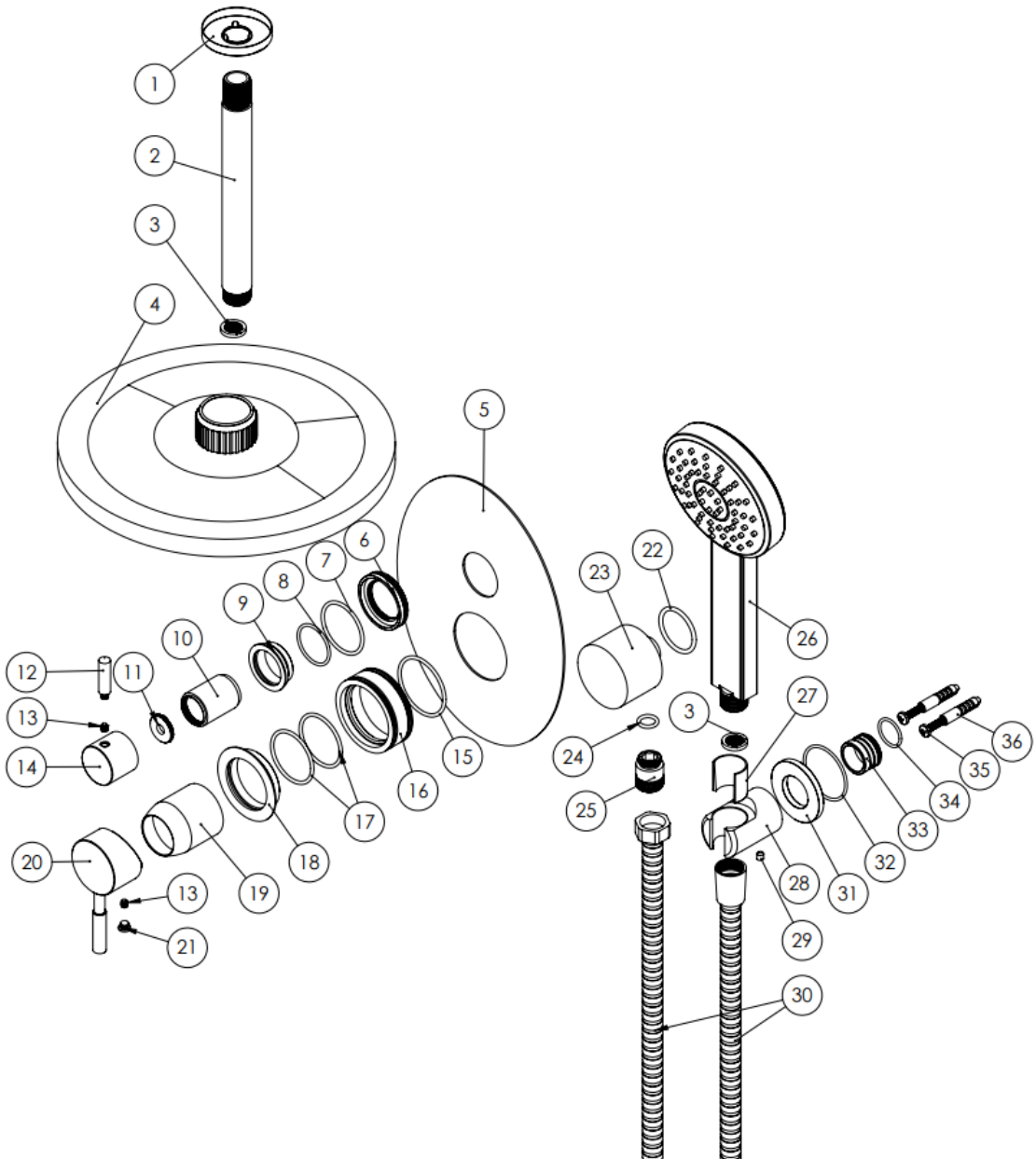
High heat and pressure resistant ceramic cartridge  
Fast and easy installation  
Shower head silicon nozzles with less sedimentation  
Concealed showers, offered in two wall and/or ceiling mounted types  
Access to interior parts without damaging the wall  
Flexible for layout  
Less space occupancy  
Easily cleanable  
Ergonomic structure  
Cartridge size: 35 mm  
%100 QC

### Scale Drawing



**MODEL NAME ROGEN BATHROOM-TYPE 3 MODEL NUMBER 202150380805**  
**(ABS)**

Exploded Drawing



**MODEL NAME ROGEN BATHROOM-TYPE 3 MODEL NUMBER 202150380805  
(ABS)**

**Part List**

No.	Item Number	Quantity used	No.	Item Number	Quantity used
1	309900000038	1	24	120200000043	1
2	313200000001	1	25	317700000005	1
3	120300000023	2	26	312500000035	1
4	312600000029	1	27	122100000033	1
5	303500000001	1	28	302600000010	1
6	301400000001	1	29	120500000101	1
7	120200000031	1	30	121000000064	1
8	120200000025	1	31	306500000030	1
9	121300000007	1	32	120200000039	1
10	302200000004	1	33	122100000028	1
11	124100000004	1	34	120200000024	1
12	305900000048	1	35	120500000086	2
13	120500000099	2	36	900000002438	2
14	306000000001	1			
15	120200000068	1			
16	301500000007	1			
17	120200000061	2			
18	120100000009	1			
19	311500000001	1			
20	305700000225	1			
21	121500000003	1			
22	120200000080	1			
23	309400000001	1			