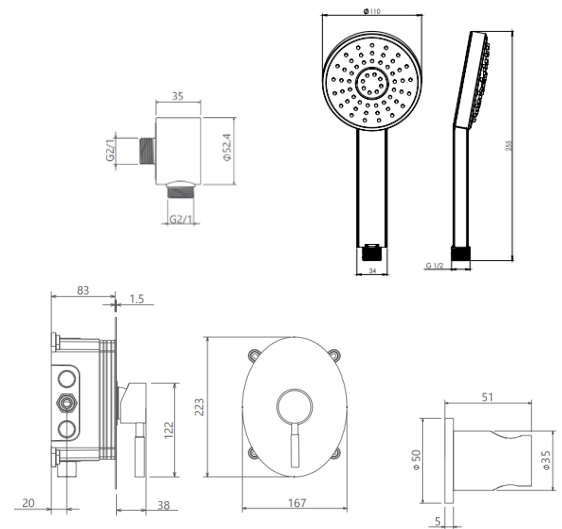


MODEL NAME ROGEN BATHROOM-TYPE 2 MODEL NUMBER 202150380605
ABS

Description

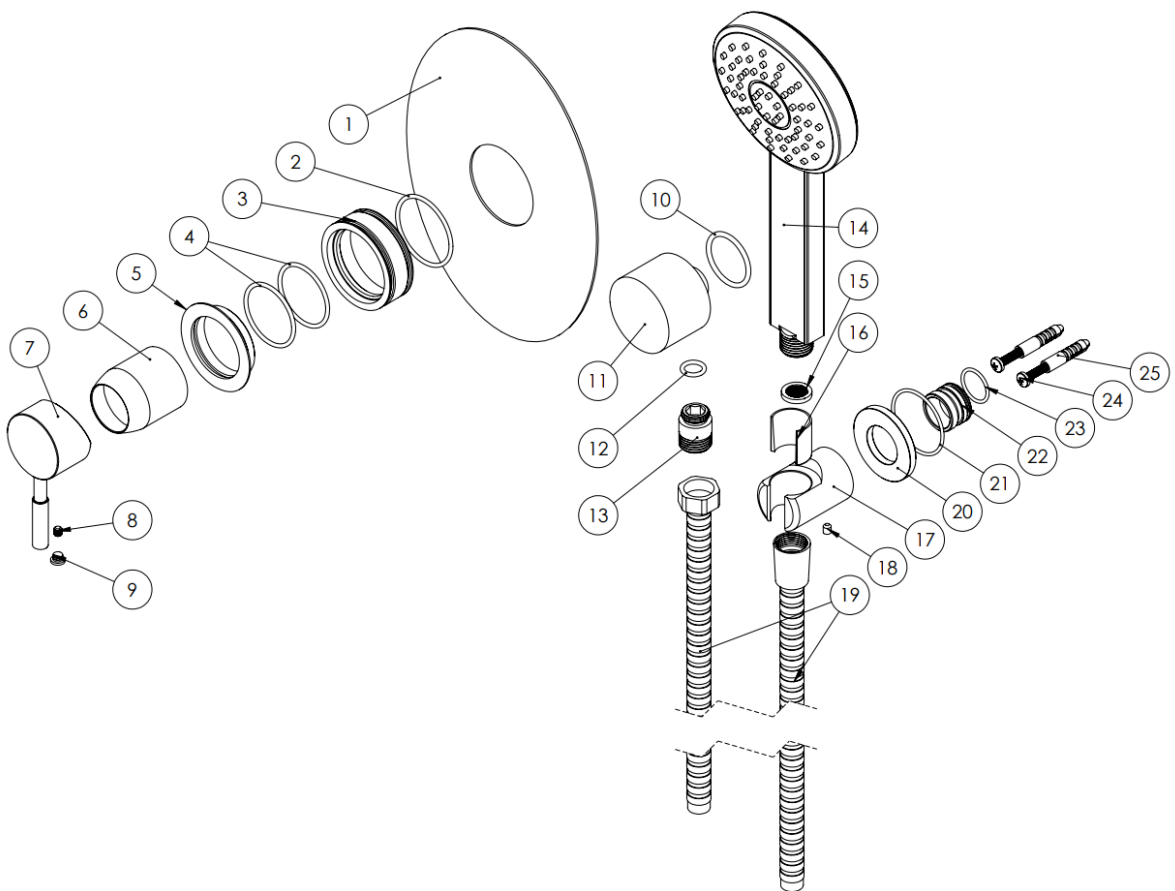
High heat and pressure resistant ceramic cartridge
Fast and easy installation
Shower head silicon nozzles with less sedimentation
Concealed showers, offered in two wall and/or ceiling mounted types
Access to interior parts without damaging the wall
Flexible for layout
Less space occupancy
Easily cleanable
Ergonomic structure
Cartridge size: 35 mm
%100 QC

Scale Drawing



MODEL NAME ROGEN BATHROOM-TYPE 2 MODEL NUMBER 202150380605
ABS

Exploded Drawing



**MODEL NAME ROGEN BATHROOM-TYPE 2 MODEL NUMBER 202150380605
ABS**

Part List

No.	Item Number	Quantity used	No.	Item Number	Quantity used
1	303400000001	1	24	1205000000086	2
2	1202000000068	1	25	900000002438	2
3	1201000000009	1			
4	1202000000061	1			
5	3015000000007	1			
6	3115000000001	1			
7	305700000225	1			
8	120500000101	1			
9	1215000000003	1			
10	1202000000080	1			
11	3094000000001	1			
12	1202000000043	1			
13	3177000000005	1			
14	3125000000035	1			
15	1203000000023	1			
16	1221000000033	1			
17	3026000000010	1			
18	1205000000099	1			
19	1210000000064	1			
20	3065000000030	1			
21	1202000000039	1			
22	1221000000028	1			
23	1202000000024	1			