

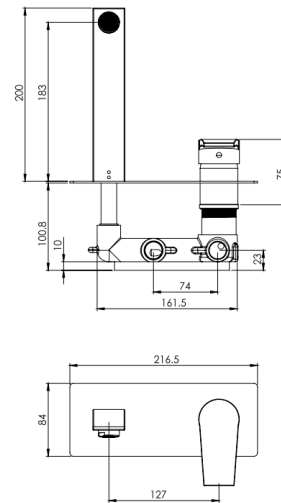
**MODEL NAME ROMER PLUS BASIN  
(ONE PART)**

**MODEL NUMBER 202180401505**

### Description

High heat and pressure resistant ceramic cartridge  
Fast and easy installation  
Easily cleanable  
Flexible for layout  
Less space occupancy  
Ergonomic structure  
Cartridge size: 35 mm  
%100 QC

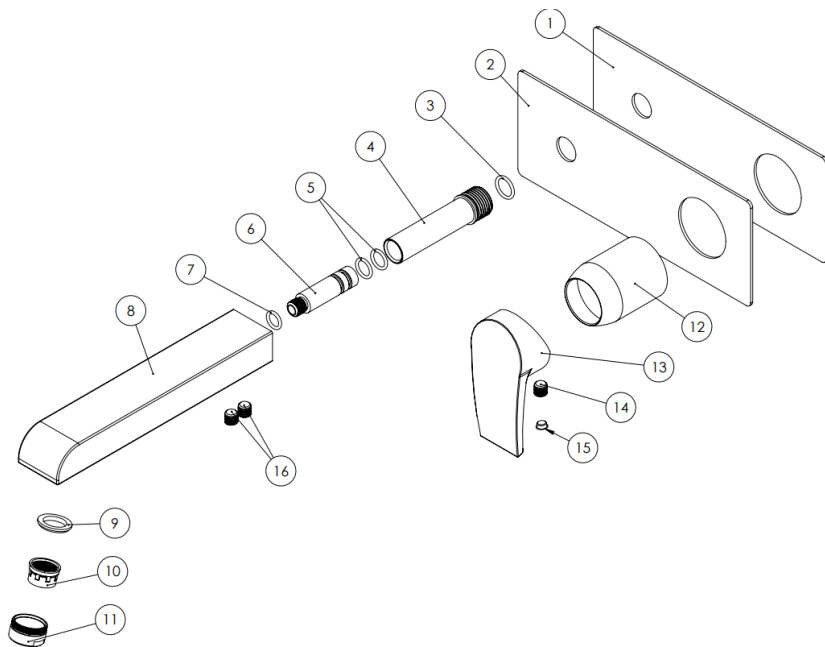
### Scale Drawing



**MODEL NAME ROMER PLUS BASIN  
(ONE PART)**

**MODEL NUMBER 202180401505**

Exploded Drawing



**MODEL NAME ROMER PLUS BASIN  
(ONE PART)**

**MODEL NUMBER 202180401505**

### Part List

No.	Item Number	Quantity used
1	127700000006	1
2	303600000014	1
3	120200000020	1
4	122100000017	1
5	120200000017	2
6	122100000018	1
7	120200000037	1
8	300400000198	1
9	120300000025	1
10	121700000010	1
11	313700000002	1
12	311600000001	1
13	305700000093	1
14	120500000099	1
15	121500000003	1
16	120500000098	2