

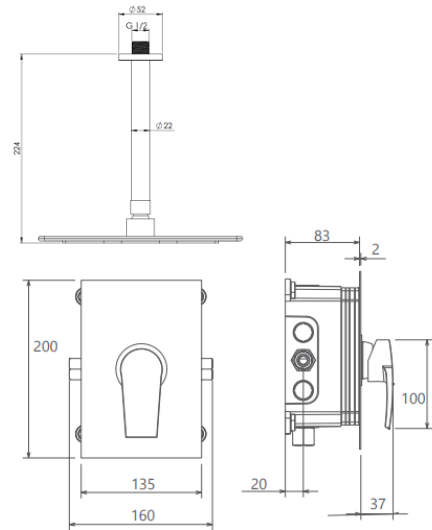
**MODEL NAME ROMER PLUS BATH  
TYPE 1**

**MODEL NUMBER 202150400105**

### Description

High heat and pressure resistant ceramic cartridge  
Fast and easy installation  
Shower head silicon nozzles with less sedimentation  
Concealed showers, offered in two wall and/or ceiling mounted types  
Access to interior parts without damaging the wall  
Flexible for layout  
Less space occupancy  
Easily cleanable  
Ergonomic structure  
Cartridge size: 35 mm  
%100 QC

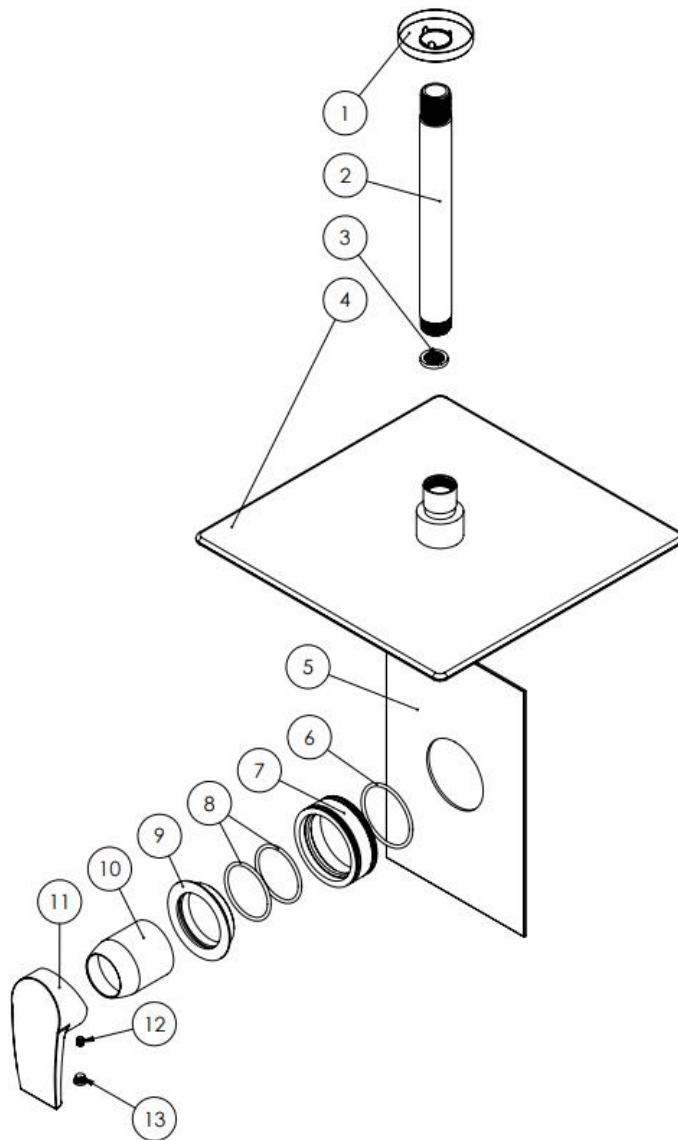
### Scale Drawing



**MODEL NAME ROMER PLUS BATH  
TYPE 1**

**MODEL NUMBER 202150400105**

Exploded Drawing



**MODEL NAME ROMER PLUS BATH  
TYPE 1**

**MODEL NUMBER 202150400105**

Part List

No.	Item Number	Quantity used
1	309900000038	1
2	313200000001	1
3	120300000023	1
4	312600000013	1
5	303400000012	1
6	120200000068	1
7	120100000009	1
8	120200000061	2
9	301500000007	1
10	311500000001	1
11	305700000093	1
12	120500000099	1
13	121500000003	1