

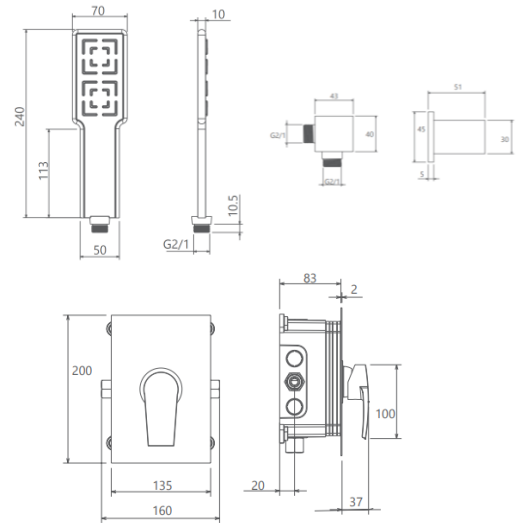
**MODEL NAME ROMER PLUS BATH  
TYPE 2**

**MODEL NUMBER 202150400505**

### Description

High heat and pressure resistant ceramic cartridge  
Fast and easy installation  
Shower head silicon nozzles with less sedimentation  
Concealed showers, offered in two wall and/or ceiling mounted types  
Access to interior parts without damaging the wall  
Flexible for layout  
Less space occupancy  
Easily cleanable  
Ergonomic structure  
Cartridge size: 35 mm  
%100 QC

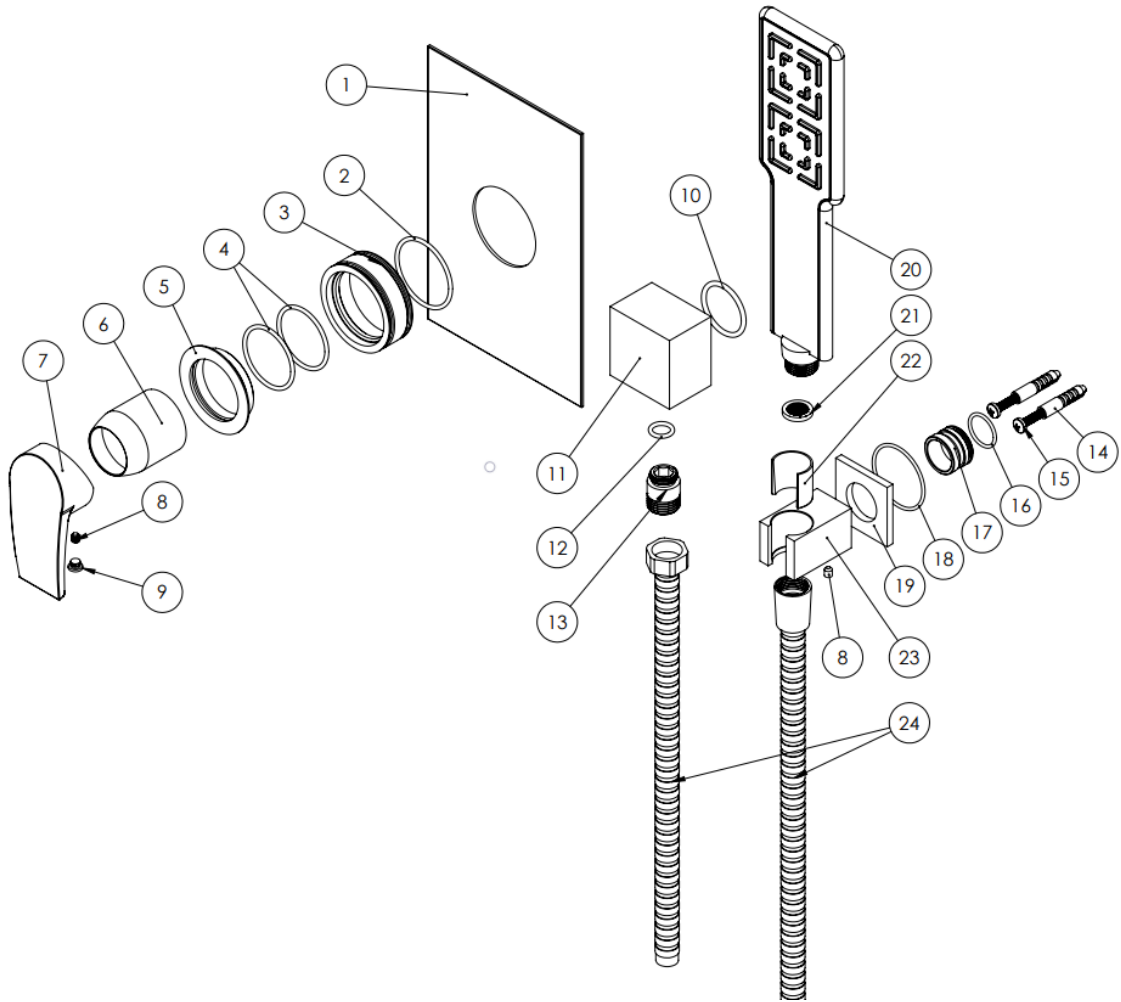
### Scale Drawing



**MODEL NAME ROMER PLUS BATH  
TYPE 2**

**MODEL NUMBER 202150400505**

Exploded Drawing



**MODEL NAME ROMER PLUS BATH  
TYPE 2****MODEL NUMBER 202150400505****Part List**

No.	Item Number	Quantity used	No.	Item Number	Quantity used
1	303400000012	1	24	121000000064	1
2	120200000068	1			
3	120100000009	1			
4	120200000061	1			
5	301500000007	1			
6	311500000001	1			
7	305700000093	1			
8	120500000099	2			
9	121500000003	1			
10	120200000080	1			
11	309500000001	1			
12	120200000043	1			
13	317700000014	1			
14	900000002438	2			
15	120500000086	2			
16	120200000024	1			
17	122100000028	1			
18	120200000039	1			
19	307200000013	1			
20	312500000018	1			
21	120300000023	1			
22	122100000033	1			
23	302600000020	1			