

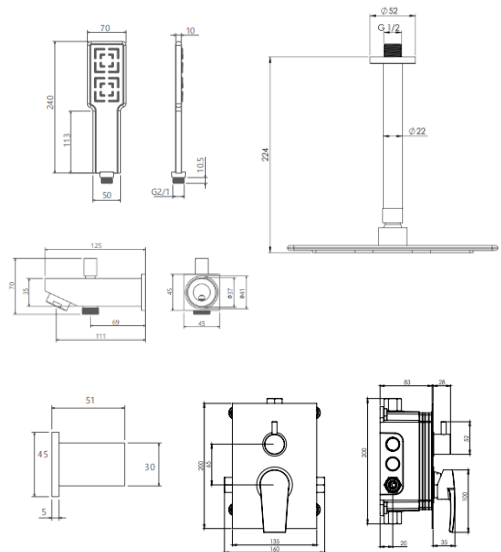
**MODEL NAME ROMER PLUS BATH  
TYPE 4**

**MODEL NUMBER 202150401105**

### Description

High heat and pressure resistant ceramic cartridge  
Fast and easy installation  
Shower head silicon nozzles with less sedimentation  
Concealed showers, offered in two wall and/or ceiling mounted types  
Access to interior parts without damaging the wall  
Flexible for layout  
Less space occupancy  
Easily cleanable  
Ergonomic structure  
Cartridge size: 35 mm  
%100 QC

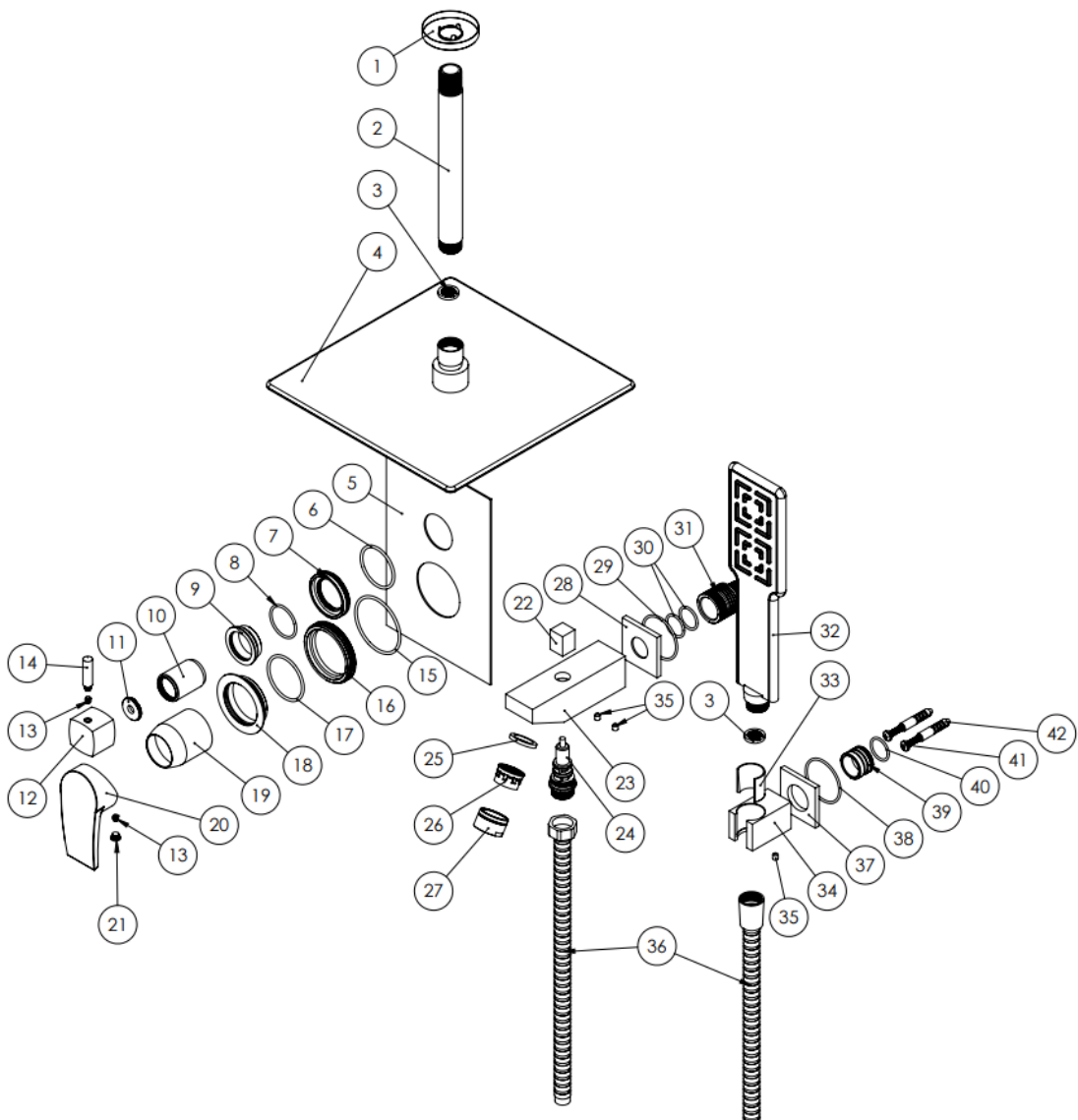
### Scale Drawing



**MODEL NAME ROMER PLUS BATH  
TYPE 4**

**MODEL NUMBER 202150401105**

Exploded Drawing



**MODEL NAME ROMER PLUS BATH  
TYPE 4**

**MODEL NUMBER 202150401105**

**Part List**

No.	Item Number	Quantity used	No.	Item Number	Quantity used
1	309900000038	1	24	120700000006	1
2	313200000001	1	25	120300000024	1
3	120300000023	1	26	121700000003	1
4	312600000013	1	27	313700000010	1
5	303500000012	1	28	307200000013	1
6	120200000031	1	29	120200000028	1
7	121300000007	1	30	120200000049	2
8	120200000025	1	31	122100000013	1
9	301400000001	1	32	312500000018	1
10	302200000004	1	33	122100000033	1
11	124100000004	1	34	302600000020	1
12	305900000048	1	35	120500000101	3
13	120500000099	2	36	121000000064	1
14	306000000008	1	37	307200000007	1
15	120200000068	1	38	120200000080	1
16	120100000009	1	39	122100000028	1
17	120200000061	1	40	120200000024	1
18	301500000007	1	41	120500000086	2
19	311500000001	1	42	900000002438	2
20	305700000093	1			
21	121500000003	1			
22	305700000180	1			
23	300400000270	1			