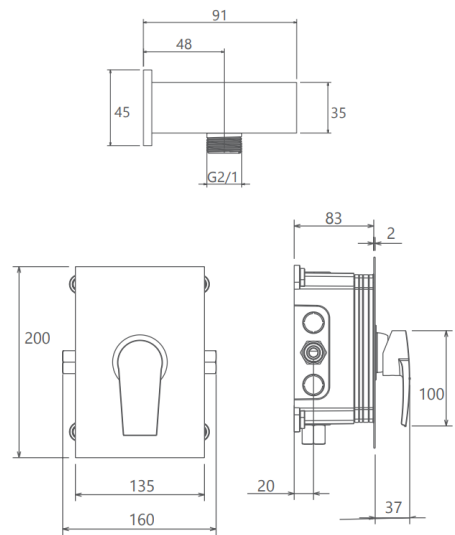


**MODEL NAME ROMER PLUS TOILET      MODEL NUMBER 20216040005**

**Description**

High heat and pressure resistant ceramic cartridge  
Fast and easy installation  
Access to interior parts without damaging the wall  
Flexible for layout  
Less space occupancy  
Easily cleanable  
Ergonomic structure  
Cartridge size: 35 mm  
%100 QC

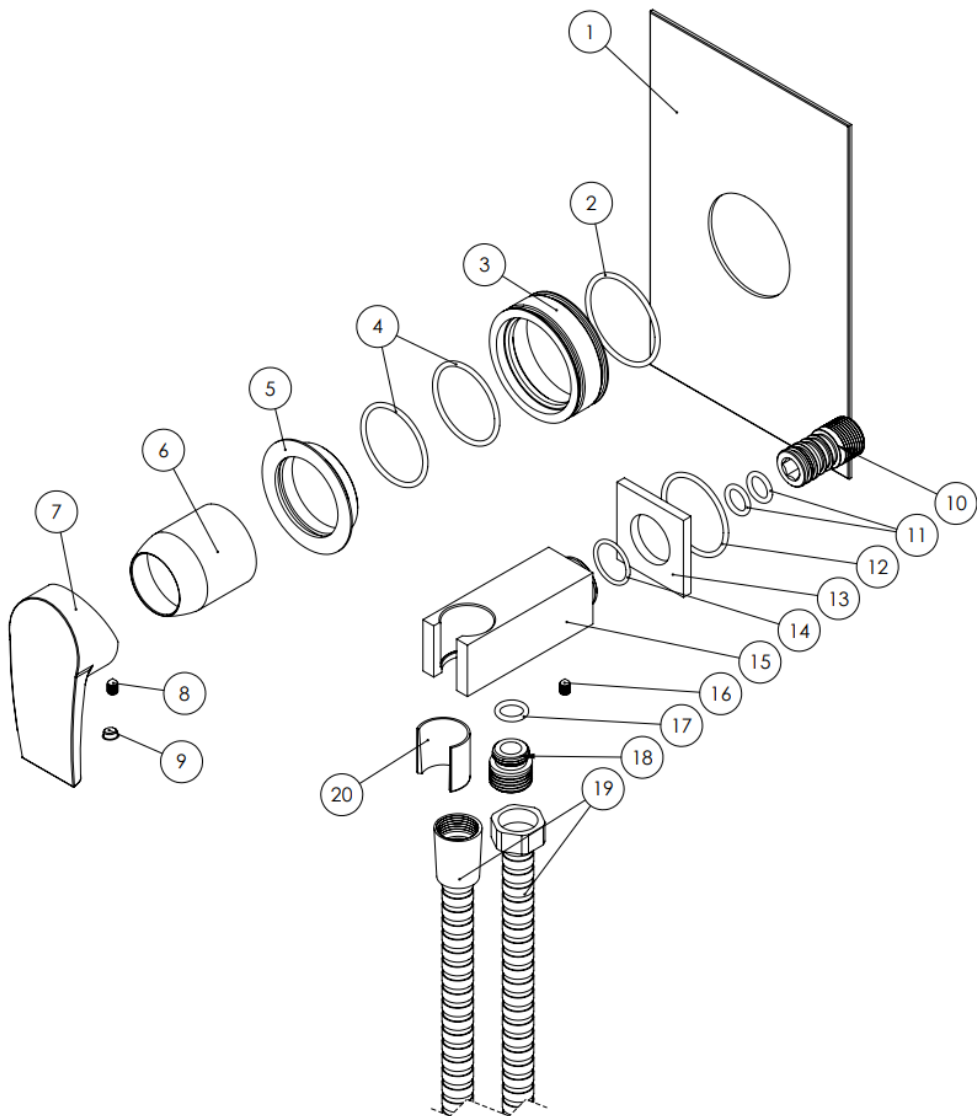
**Scale Drawing**



**MODEL NAME ROMER PLUS TOILET**

**MODEL NUMBER 20216040005**

Exploded Drawing



**MODEL NAME ROMER PLUS TOILET      MODEL NUMBER 20216040005**

### Part List

| No. | Item Number  | Quantity used |
|-----|--------------|---------------|
| 1   | 30340000012  | 1             |
| 2   | 12020000068  | 1             |
| 3   | 12010000009  | 1             |
| 4   | 12020000061  | 1             |
| 5   | 30150000007  | 1             |
| 6   | 31150000001  | 1             |
| 7   | 30570000093  | 1             |
| 8   | 12050000099  | 1             |
| 9   | 12150000003  | 1             |
| 10  | 12210000070  | 1             |
| 11  | 12020000044  | 2             |
| 12  | 12020000080  | 1             |
| 13  | 30720000013  | 1             |
| 14  | 12020000024  | 1             |
| 15  | 31680000012  | 1             |
| 16  | 120500000100 | 1             |
| 17  | 12020000043  | 1             |
| 18  | 31770000014  | 1             |
| 19  | 12100000022  | 1             |
| 20  | 12210000033  | 1             |