

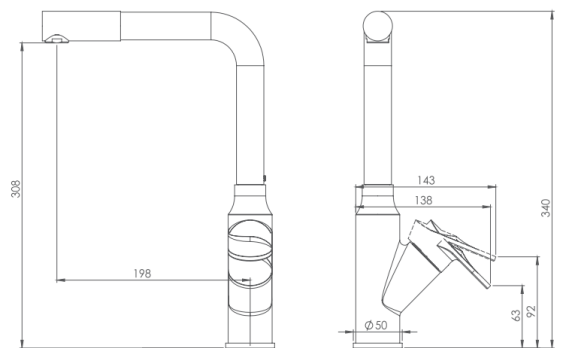
MODEL NAME SMART KITCHEN

MODEL NUMBER 201010100005

Description

High heat and pressure resistant ceramic cartridge
Water saving perlator
Less surface sedimentation due to special body design
Fast and easy installation
Easily cleanable
Ergonomic structure
Cartridge size: 35mm
%100 QC

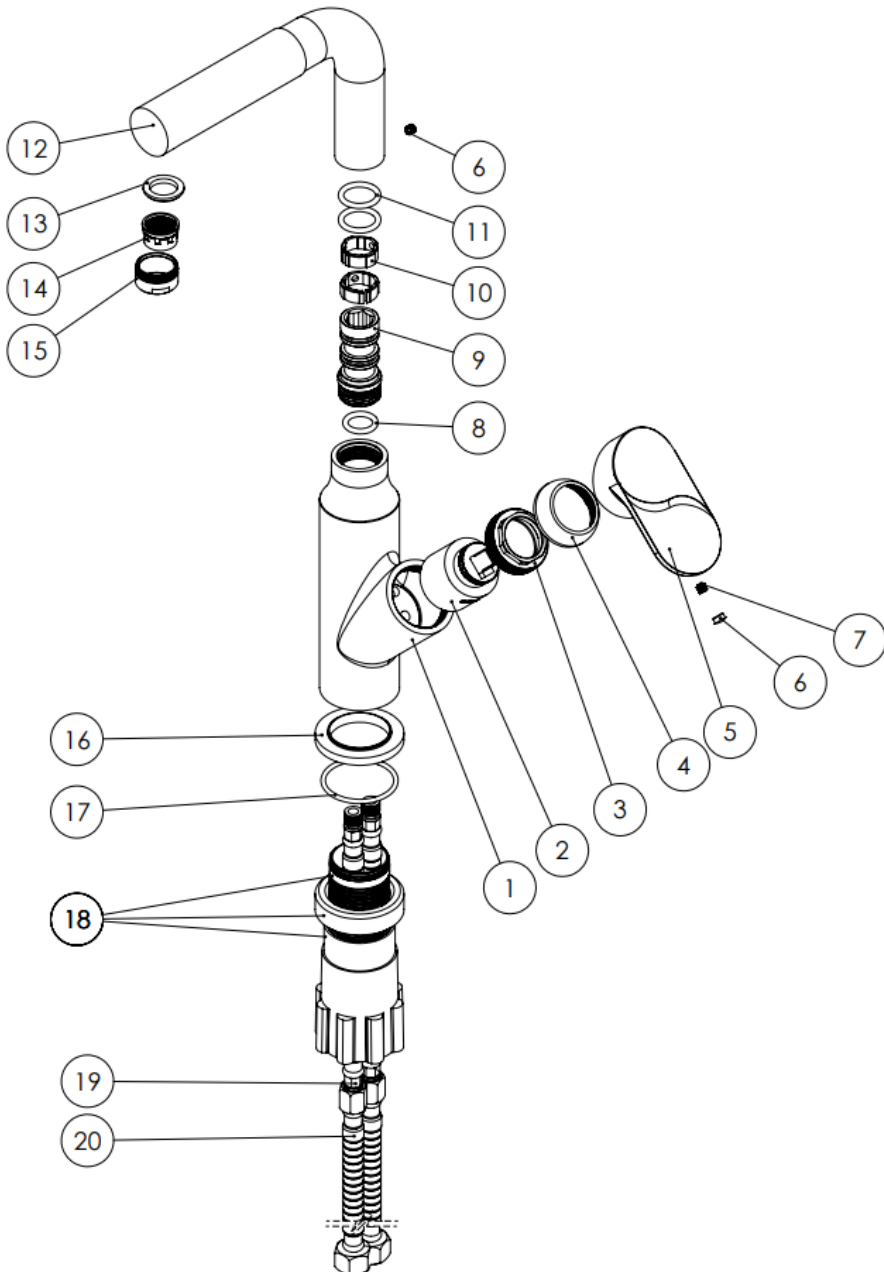
Scale Drawing



MODEL NAME SMART KITCHEN

MODEL NUMBER 201010100005

Exploded Drawing



MODEL NAME SMART KITCHEN**MODEL NUMBER 201010100005****Part List**

No.	Item Number	Quantity used
1	304700000034	1
2	120100000012	1
3	120100000024	1
4	310800000001	1
5	305700000046	1
6	120500000099	2
7	121500000003	1
8	120200000043	1
9	317800000035	1
10	123800000006	2
11	120200000046	2
12	302700000053	1
13	120300000025	1
14	121700000004	1
15	313700000002	1
16	306500000010	1
17	120200000057	1
18	123500000005	1
19	121000000027	2
20	121000000040	2