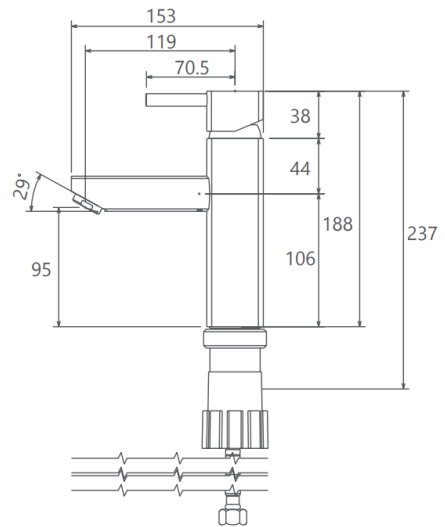


MODEL NAME UNIQUE FIXED BASIN MODEL NUMBER 201060200005

Description

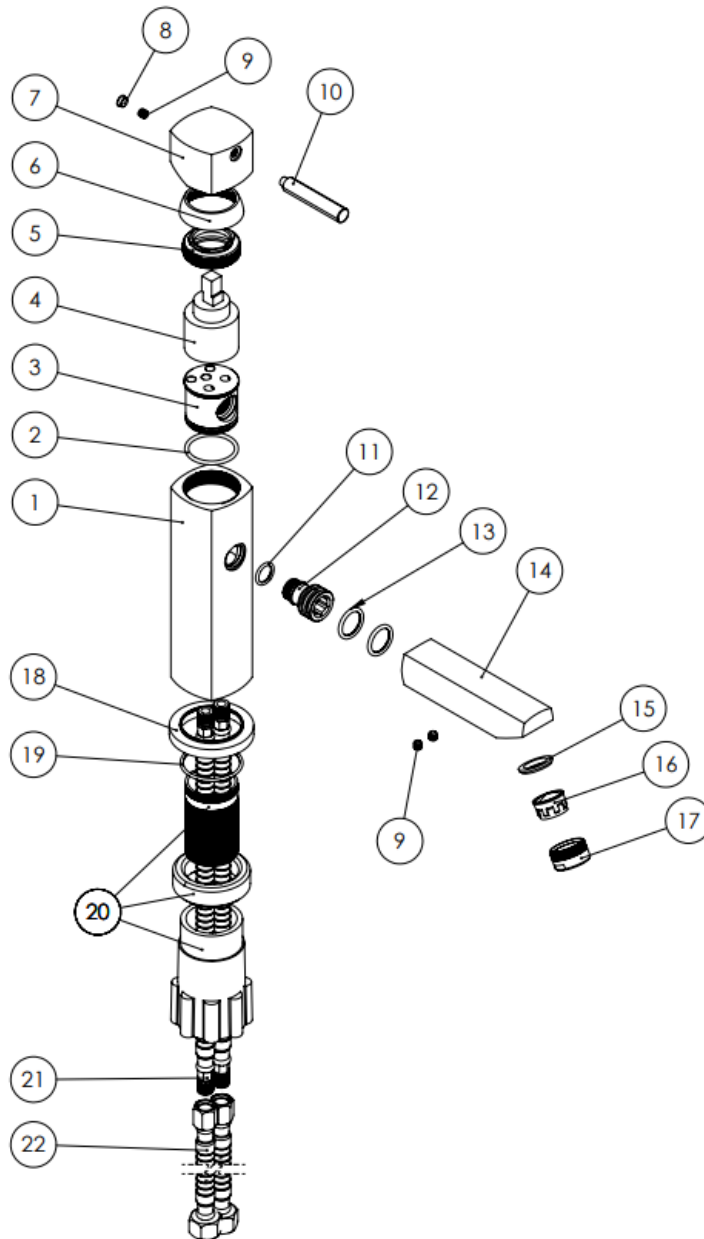
High heat and pressure resistant ceramic cartridge
Water saving perlator
Less surface sedimentation due to special body design
Fast and easy installation
Easily cleanable
Ergonomic structure
Cartridge size: 35mm
%100 QC

Scale Drawing



MODEL NAME UNIQUE FIXED BASIN **MODEL NUMBER** 20106020005

Exploded Drawing



MODEL NAME UNIQUE FIXED BASIN MODEL NUMBER 201060200005

Part List

No.	Item Number	Quantity used
1	304900000317	1
2	120200000050	1
3	120100000004	1
4	120100000012	1
5	120100000024	1
6	310800000001	1
7	316400000087	1
8	121500000003	1
9	120500000099	3
10	305900000103	1
11	120200000041	1
12	122100000023	1
13	120200000046	2
14	300400000247	1
15	120300000025	1
16	121700000010	1
17	313700000002	1
18	307000000040	1
19	120200000082	1
20	123500000009	1
21	121000000027	2
22	121000000040	2