

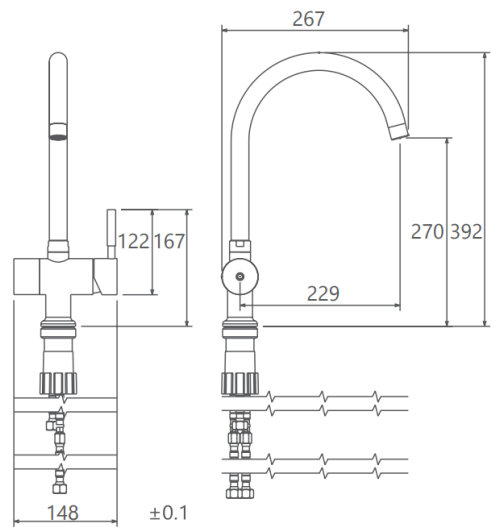
**MODEL NAME ALSTER DUAL-PURPOSE
KITCHEN**

MODEL NUMBER 201100260005

Description

High heat and pressure resistant ceramic cartridge
With direct connection to water treatment machine
Water saving perlator
Easily cleanable
Fast and easy installation
Ergonomic structure
Cartridge size: 35mm
%100 QC

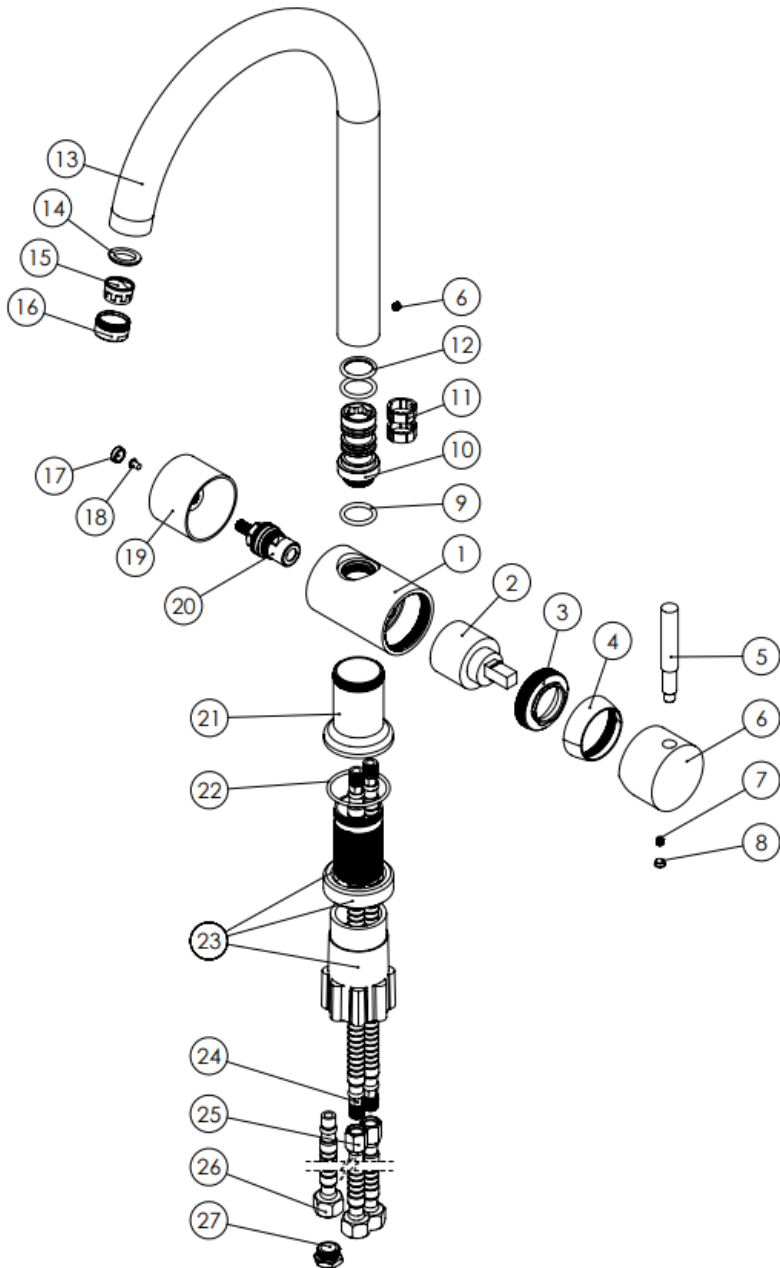
Scale Drawing



**MODEL NAME ALSTER DUAL-PURPOSE
KITCHEN**

MODEL NUMBER 201100260005

Exploded Drawing



**MODEL NAME ALSTER DUAL-PURPOSE
KITCHEN****MODEL NUMBER 201100260005****Part List**

No.	Item Number	Quantity used	No.	Item Number	Quantity used
1	304700000087	1	24	121000000027	2
2	120100000017	1	25	121000000040	2
3	120100000026	1	26	121000000014	1
4	121600000006	1	27	127100000002	1
5	305900000095	1			
6	316400000049	1			
7	120500000099	2			
8	121500000003	1			
9	120200000074	1			
10	317800000027	1			
11	123800000006	2			
12	120200000084	2			
13	302700000081	1			
14	120300000025	1			
15	121700000004	1			
16	313700000002	1			
17	121500000002	1			
18	900000001872	1			
19	305700000063	1			
20	123400000006	1			
21	302400000011	1			
22	120200000057	1			
23	123500000005	1			