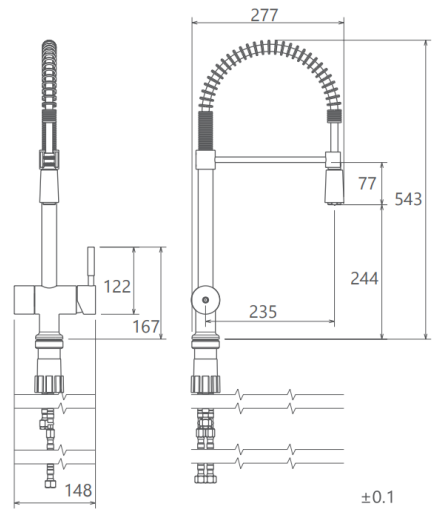


MODEL NAME ALSTER SPRING KITCHEN SINK TAP MIXERS **MODEL NUMBER 201100280005**

Description

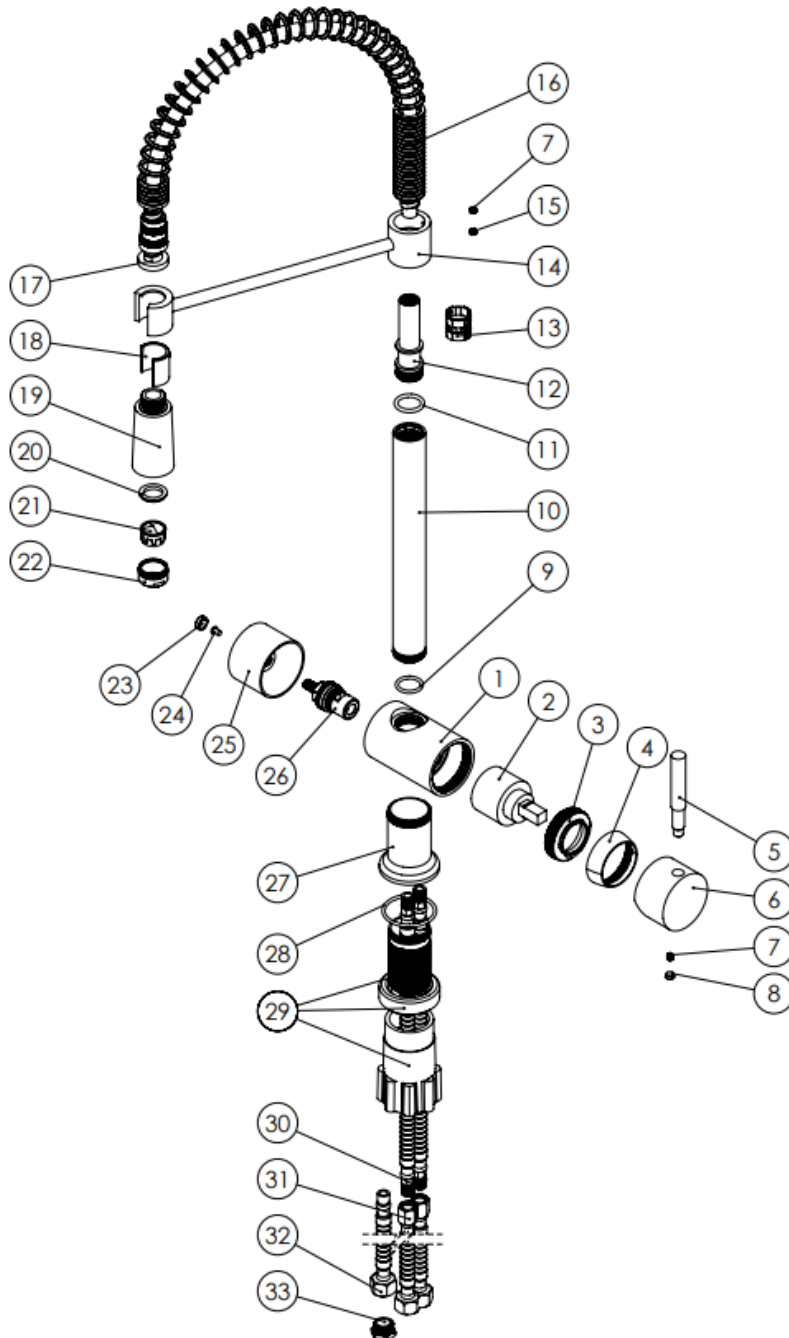
High heat and pressure resistant ceramic cartridge
With direct connection to water treatment machine
Water saving perlator
Easily cleanable
Fast and easy installation
Ergonomic structure
Cartridge size: 35mm
%100 QC

Scale Drawing



MODEL NAME ALSTER SPRING KITCHEN SINK TAP MIXERS **MODEL NUMBER 201100280005**

Exploded Drawing



MODEL NAME ALSTER SPRING KITCHEN SINK TAP MIXERS **MODEL NUMBER 201100280005**

Part List

No.	Item Number	Quantity used	No.	Item Number	Quantity used
1	304700000220	1	24	120500000085	1
2	120100000017	1	25	305700000063	1
3	120100000026	1	26	123400000005	1
4	121600000006	1	27	302400000011	1
5	121500000003	1	28	120200000057	1
6	120500000099	2	29	123500000005	1
7	305900000095	1	30	121000000027	2
8	316400000049	1	31	121000000040	2
9	120200000049	1	32	121000000014	1
10	302700000167	1	33	127100000002	1
11	120200000043	1			
12	122000000013	1			
13	123800000006	2			
14	308400000011	1			
15	120500000100	1			
16	309600000005	1			
17	121000000002	1			
18	122100000033	1			
19	312400000001	1			
20	120300000025	1			
21	121700000004	1			
22	313700000002	1			
23	121500000002	1			