

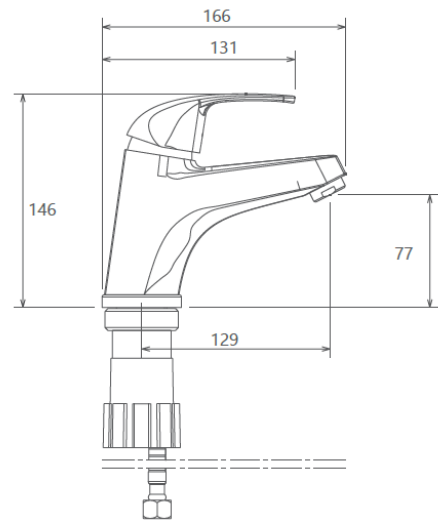
**MODEL NAME ATLAS FIXED BASIN**

**MODEL NUMBER 201060030005**

### Description

High heat and pressure resistant ceramic cartridge  
Water saving perlator  
Less surface sedimentation due to special body design  
Fast and easy installation  
Easily cleanable  
Ergonomic structure  
Cartridge size: 40 mm  
%100 QC

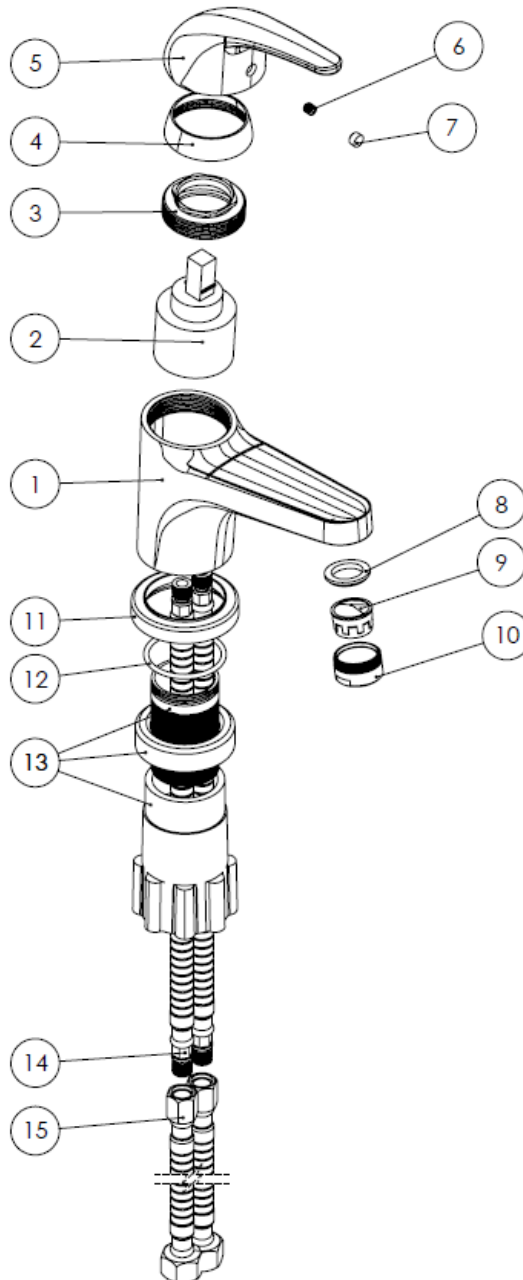
### Scale Drawing



**MODEL NAME ATLAS FIXED BASIN**

**MODEL NUMBER 201060030005**

Exploded Drawing



**MODEL NAME ATLAS FIXED BASIN****MODEL NUMBER 201060030005****Part List**

No.	Item Number	Quantity used
1	304900000100	1
2	120100000017	1
3	120100000022	1
4	121600000004	1
5	305700000049	1
6	120500000099	1
7	121500000003	1
8	120300000025	1
9	121700000010	1
10	313700000002	1
11	307000000040	1
12	120200000082	1
13	123500000009	1
14	121000000026	2
15	121000000039	2