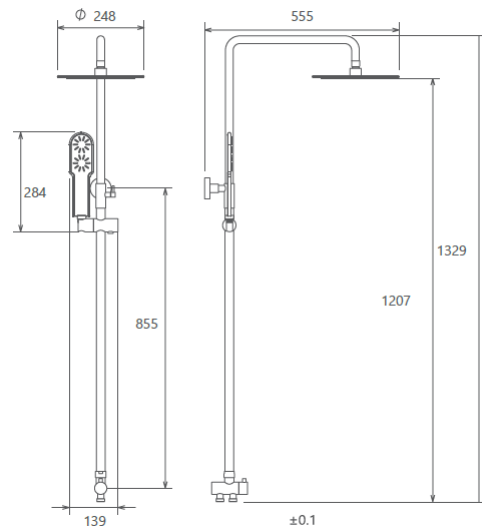


MODEL NAME BALTIC SHOWER SYSTEM MODEL NUMBER 201130350005

Description

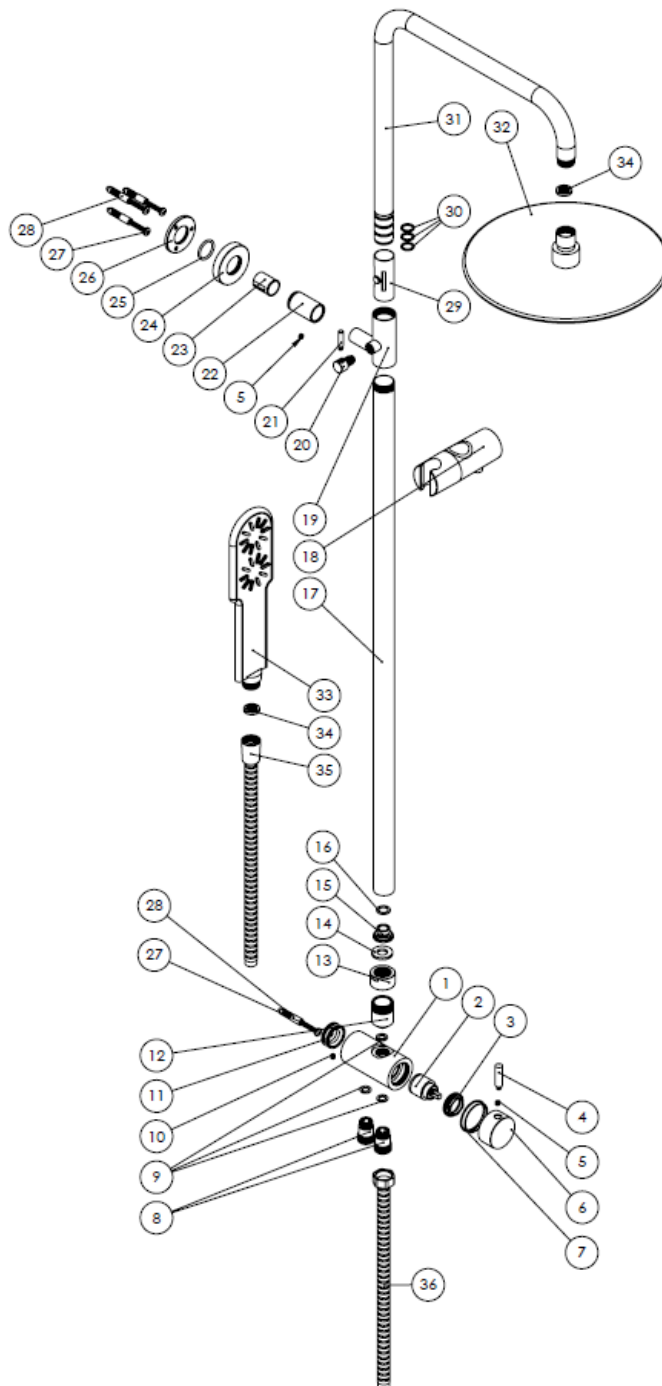
Less surface sedimentation due to special body design
Dual-purpose- fixed and mobile shower head
Shower head silicon nozzles with less sedimentation
Fast and easy installation
Ergonomic structure
Height settable for fixed and mobile shower
%100 QC

Scale Drawing



MODEL NAME BALTIC SHOWER SYSTEM MODEL NUMBER 201130350005

Exploded Drawing



MODEL NAME BALTIC SHOWER SYSTEM MODEL NUMBER 201130350005

Part List

No.	Item Number	Quantity used	No.	Item Number	Quantity used
1	308800000016	1	24	121900000003	1
2	120100000011	1	25	120200000051	1
3	120100000027	1	26	317100000001	1
4	305900000083	1	27	120500000089	1
5	120500000099	2	28	900000002437	4
6	316600000017	1	29	124100000003	1
7	124100000009	1	30	120200000044	3
8	317700000037	2	31	306100000031	1
9	120200000040	3	32	312600000021	1
10	120500000100	1	33	312500000026	1
11	123300000006	1	34	122100000040	2
12	317800000063	1	35	121000000064	1
13	314700000016	1	36	121000000049	1
14	120300000037	1			
15	123600000009	1			
16	120200000019	1			
17	313300000046	1			
18	301200000022	1			
19	301200000014	1			
20	316400000028	1			
21	305900000024	1			
22	313300000006	1			
23	124100000003	1			