

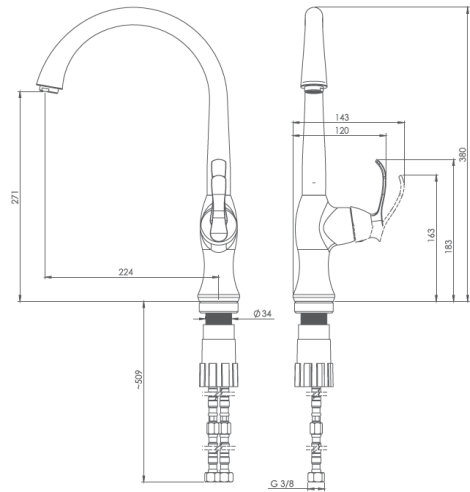
**MODEL NAME CLASSIC KITCHEN**

**MODEL NUMBER 201010110005**

### Description

Shower and regular kitchen  
High heat and pressure resistant ceramic  
cartridge  
Water saving perlator  
Less surface sedimentation due to special  
body design  
Fast and easy installation  
Easily cleanable  
Ergonomic structure  
Kitchen (shower type) faucet to cover  
larger washing areas  
Cartridge size: 35mm  
%100 QC

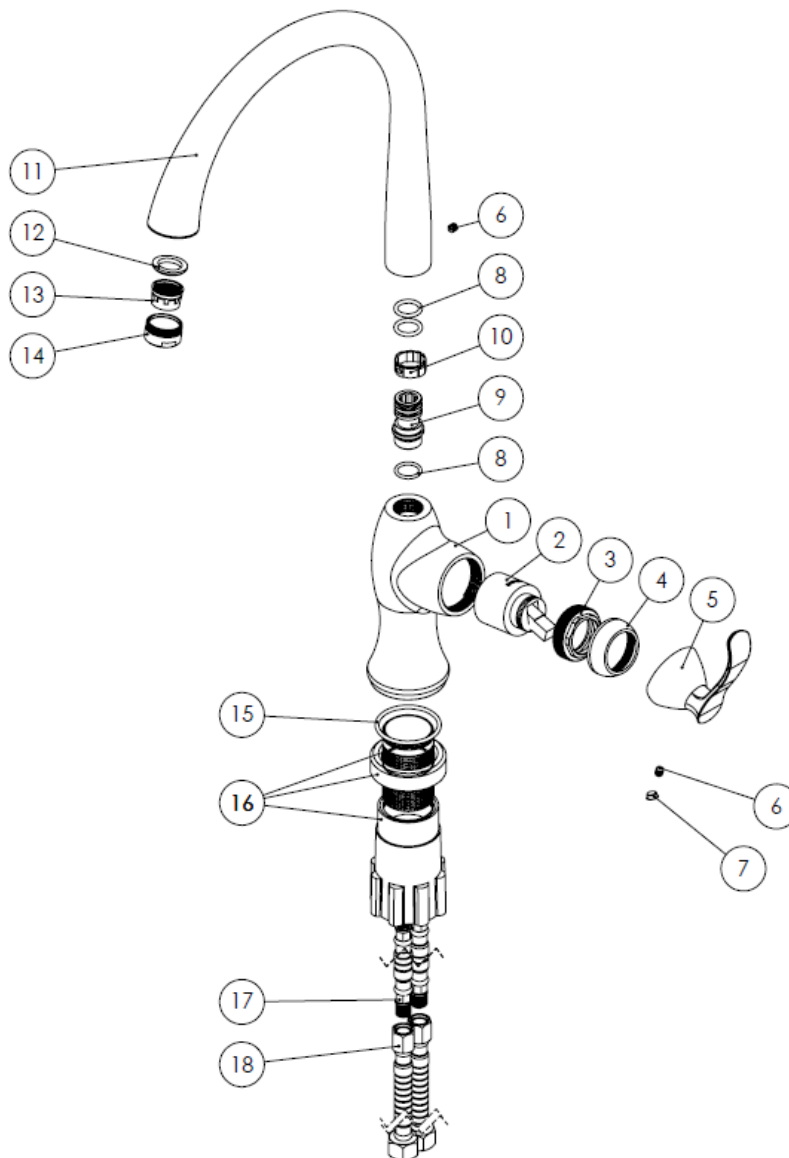
### Scale Drawing



**MODEL NAME CLASSIC KITCHEN**

**MODEL NUMBER 201010110005**

Exploded Drawing



**MODEL NAME CLASSIC KITCHEN****MODEL NUMBER 201010110005****Part List**

No.	Item Number	Quantity used
1	304700000238	1
2	120100000012	1
3	120100000024	1
4	310800000001	1
5	305700000192	1
6	120500000099	1
7	121500000003	1
8	120200000041	3
9	317800000028	1
10	123800000006	1
11	302700000187	1
12	120300000025	1
13	121700000004	1
14	313700000002	1
15	120200000080	1
16	123500000006	1
17	121000000027	2
18	121000000040	2