

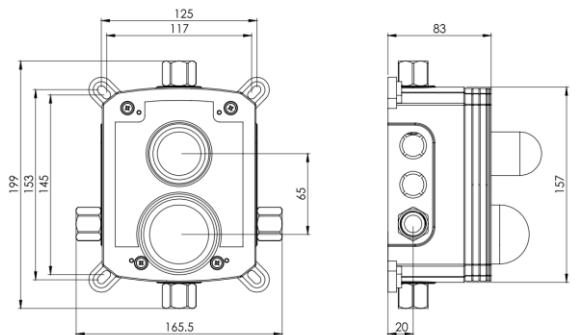
MODEL NAME CONCEALED BOX A

MODEL NUMBER 202260580000

Description

High heat and pressure resistant ceramic cartridge
Fast and easy installation
Body quality: Brass
Access to interior parts without damaging the wall
Less space occupancy
Flexible for layout
Cartridge size: 35 mm
%100 QC
Box A: for types III & IV of all concealed bathrooms and toilets equipped with bidet

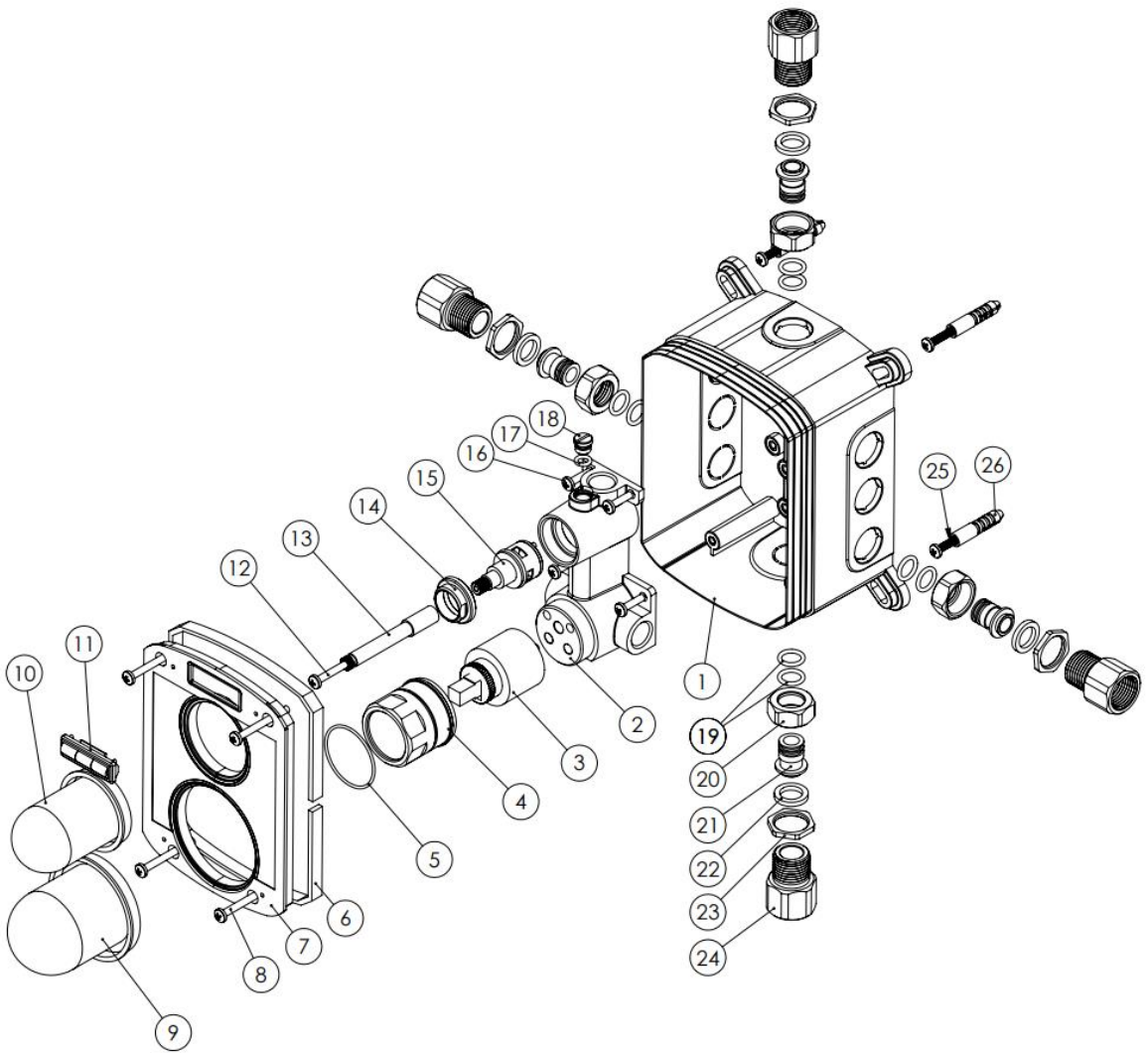
Scale Drawing



MODEL NAME CONCEALED BOX A

MODEL NUMBER 202260580000

Exploded Drawing



MODEL NAME CONCEALED BOX A**MODEL NUMBER 202260580000****Part List**

| No. | Item Number | Quantity used | No. | Item Number | Quantity used |
|-----|--------------|---------------|-----|--------------|---------------|
| 1 | 126800000001 | 1 | 24 | 123400000001 | 4 |
| 2 | 122800000005 | 1 | 25 | 900000001829 | 4 |
| 3 | 120100000012 | 1 | 26 | 900000002438 | 4 |
| 4 | 120100000036 | 1 | | | |
| 5 | 120200000008 | 1 | | | |
| 6 | 127700000022 | 1 | | | |
| 7 | 121300000002 | 1 | | | |
| 8 | 120500000086 | 4 | | | |
| 9 | 120100000006 | 1 | | | |
| 10 | 121300000005 | 1 | | | |
| 11 | 141300000003 | 1 | | | |
| 12 | 120500000084 | 1 | | | |
| 13 | 122000000024 | 1 | | | |
| 14 | 120100000034 | 1 | | | |
| 15 | 120100000021 | 1 | | | |
| 16 | 120500000090 | 4 | | | |
| 17 | 120200000021 | 1 | | | |
| 18 | 127100000004 | 1 | | | |
| 19 | 120200000127 | 8 | | | |
| 20 | 120600000002 | 4 | | | |
| 21 | 122100000048 | 4 | | | |
| 22 | 120300000009 | 4 | | | |
| 23 | 120600000001 | 4 | | | |