

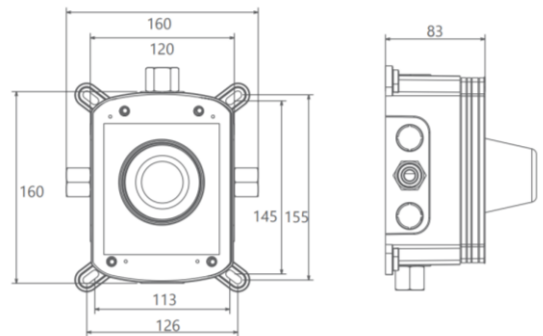
MODEL NAME CONCEALED BOX B

MODEL NUMBER 202260590000

Description

High heat and pressure resistant ceramic cartridge
Fast and easy installation
Body quality: Brass
Access to interior parts without damaging the wall
Less space occupancy
Flexible for layout
Cartridge size: 35 mm
%100 QC
Box B: for types I & II of concealed bathrooms and all types of toilet

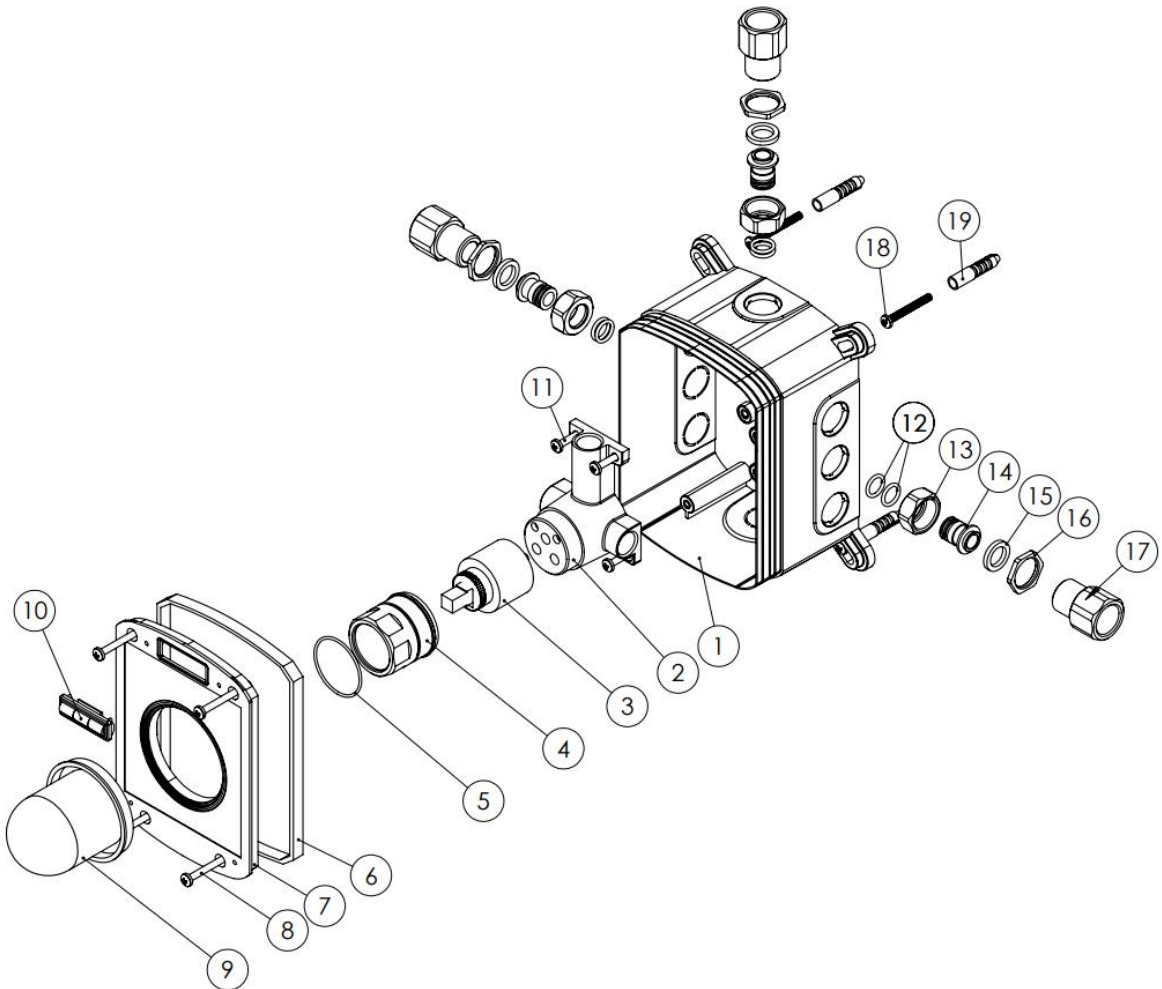
Scale Drawing



MODEL NAME CONCEALED BOX B

MODEL NUMBER 202260590000

Exploded Drawing



MODEL NAME CONCEALED BOX B**MODEL NUMBER 202260590000****Part List**

No.	Item Number	Quantity used
1	126800000001	1
2	122800000003	1
3	120100000012	1
4	120100000036	1
5	120200000008	1
6	127700000022	1
7	900000000614	1
8	120500000086	4
9	120100000006	1
10	141300000003	1
11	120500000090	4
12	120200000127	6
13	120600000002	3
14	122100000048	3
15	120300000009	3
16	120600000001	3
17	123400000001	3
18	900000001829	4
19	900000002438	4