

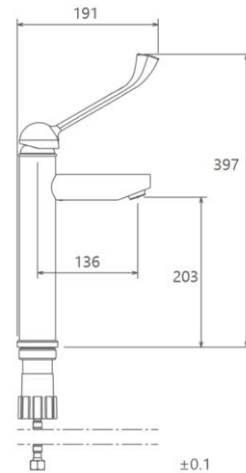
MODEL NAME HOSPITAL-ORIENTED
TALL BASIN

MODEL NUMBER 201050500005

Description

High heat and pressure resistant ceramic cartridge
Water saving perlator
Less surface sedimentation due to special body design
Fast and easy installation
Easily cleanable
Ergonomic structure
Cartridge size: 40 mm
%100 QC

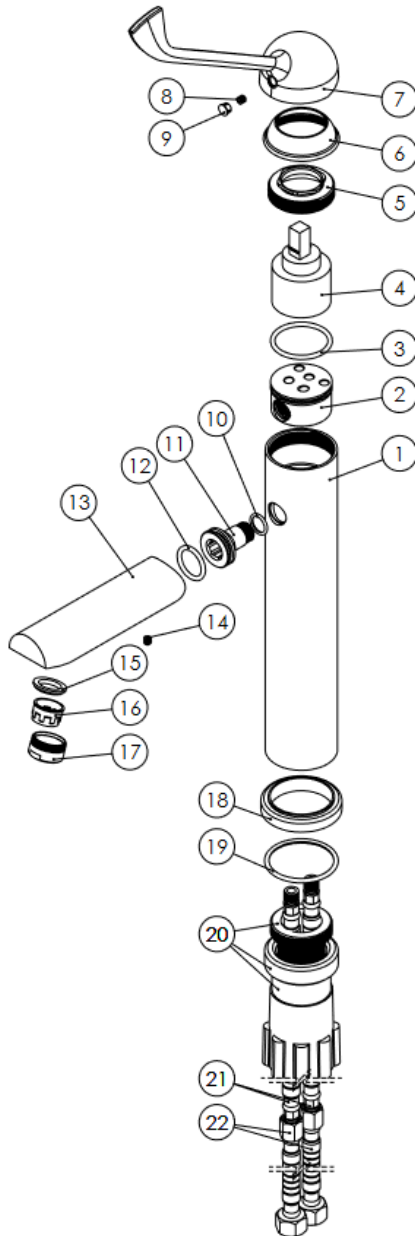
Scale Drawing



MODEL NAME HOSPITAL-ORIENTED
TALL BASIN

MODEL NUMBER 201050500005

Exploded Drawing



**MODEL NAME HOSPITAL-ORIENTED
TALL BASIN****MODEL NUMBER 201050500005****Part List**

No.	Item Number	Quantity used
1	304900000297	1
2	120100000005	1
3	120200000028	1
4	120100000017	1
5	120100000026	1
6	310700000029	1
7	305700000087	1
8	120500000099	1
9	121500000003	1
10	120200000016	1
11	122100000010	1
12	120200000074	1
13	300400000164	1
14	120500000103	1
15	120300000025	1
16	121700000010	1
17	313700000002	1
18	306500000022	1
19	120200000082	1
20	123500000009	1
21	121000000030	2
22	121000000040	2