

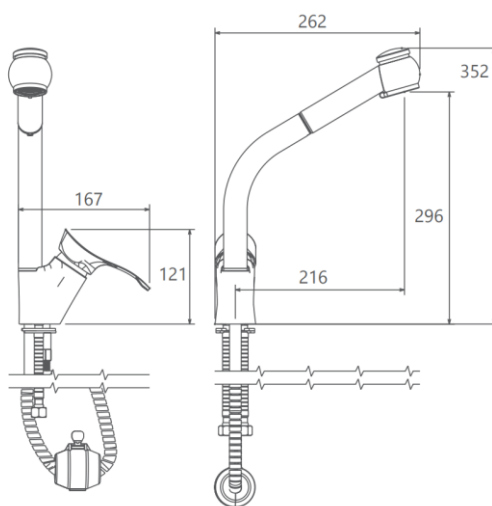
**MODEL NAME LORD KITCHEN
(POLL OUT)**

MODEL NUMBER 201080080005

Description

Shower and regular kitchen
High heat and pressure resistant ceramic
cartridge
Water saving perlator
Less surface sedimentation due to special
body design
Fast and easy installation
Easily cleanable
Ergonomic structure
Kitchen (shower type) faucet to cover
larger washing areas
Kitchen faucet with dual-function, sprayer
head
Cartridge size: 40 mm
%100 QC

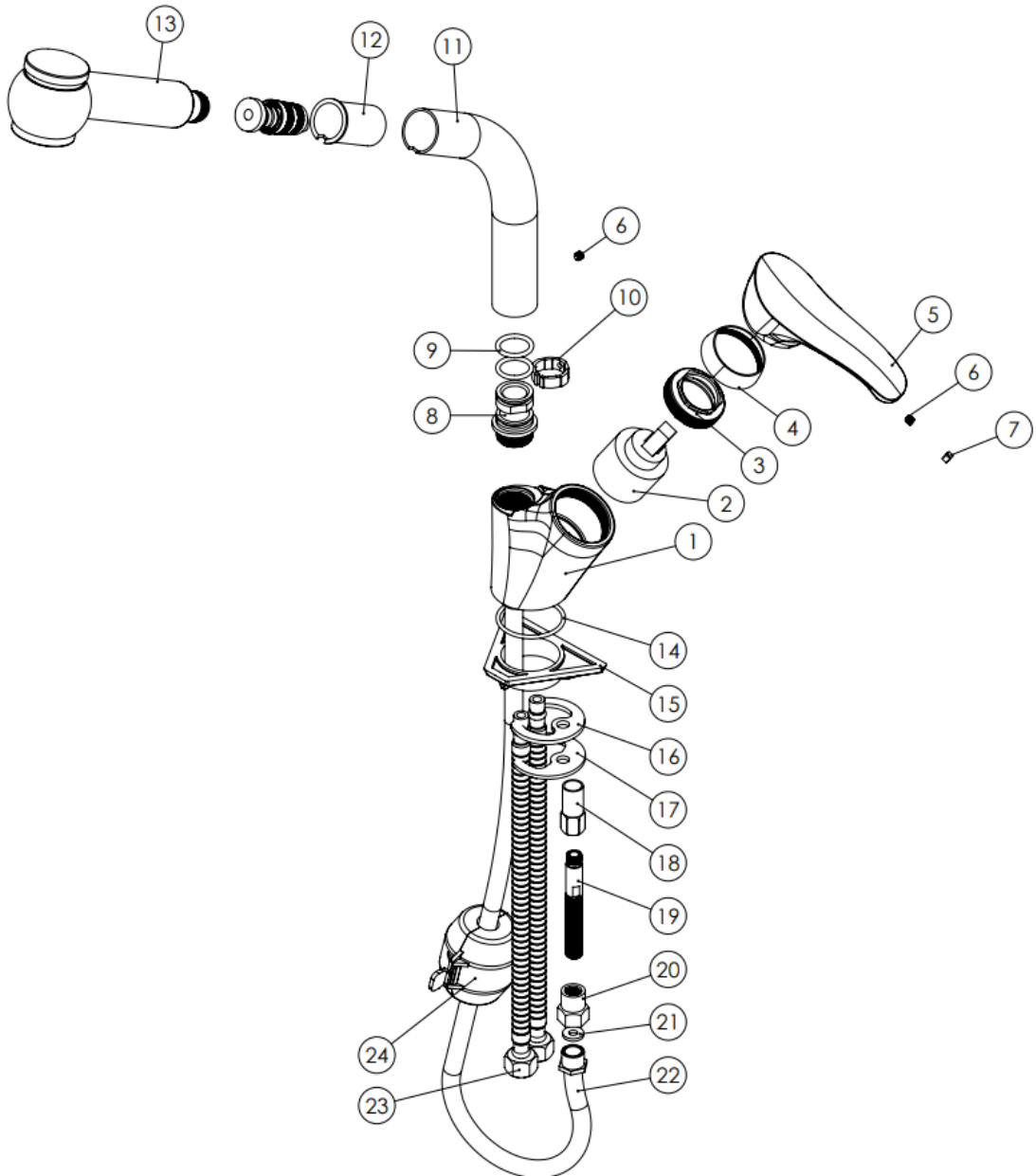
Scale Drawing



**MODEL NAME LORD KITCHEN
(POLL OUT)**

MODEL NUMBER 201080080005

Exploded Drawing



**MODEL NAME LORD KITCHEN
(POLL OUT)****MODEL NUMBER 201080080005****Part List**

No.	Item Number	Quantity used	No.	Item Number	Quantity used
1	304700000182	1	24	124000000001	1
2	120100000017	1			
3	120100000022	1			
4	121600000004	1			
5	305700000198	1			
6	120500000099	2			
7	121500000003	1			
8	317800000037	1			
9	120200000076	2			
10	123800000006	1			
11	318200000050	1			
12	122100000035	1			
13	124400000001	1			
14	120200000062	1			
15	127700000018	1			
16	120300000040	1			
17	315700000001	1			
18	123200000001	1			
19	120600000018	1			
20	120600000015	1			
21	120300000015	1			
22	121000000056	1			
23	121000000009	2			