

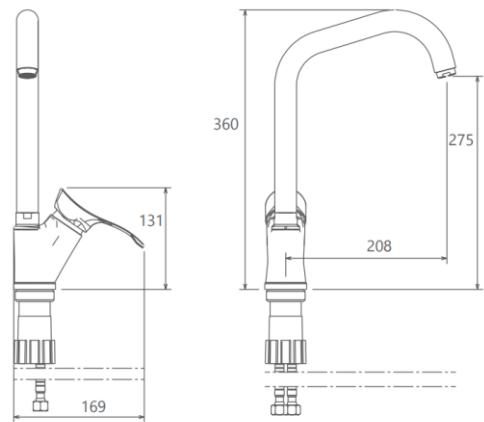
MODEL NAME LORD KITCHEN

MODEL NUMBER 201010080005

Description

Shower and regular kitchen
High heat and pressure resistant ceramic
cartridge
Water saving perlator
Less surface sedimentation due to special
body design
Fast and easy installation
Easily cleanable
Ergonomic structure
Cartridge size: 40 mm
%100 QC

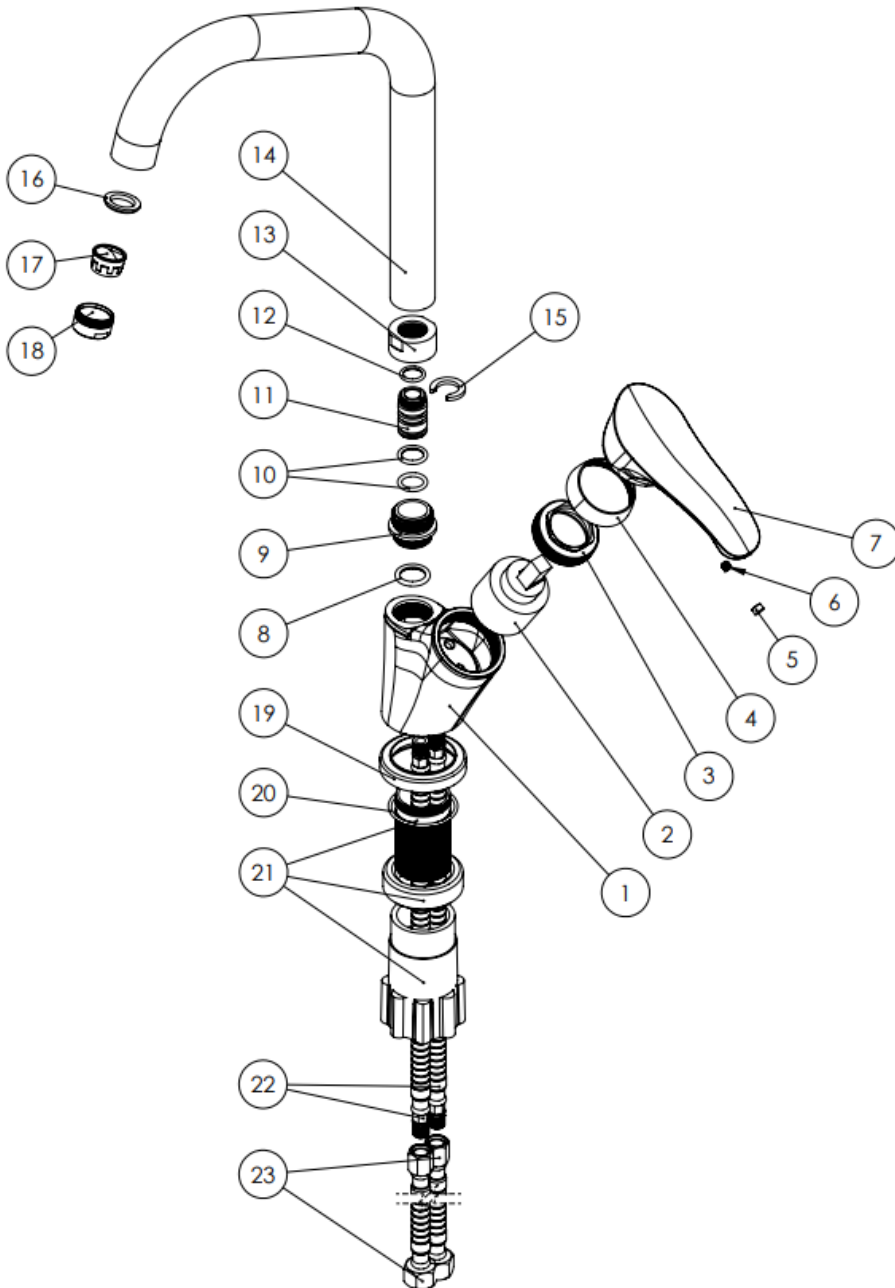
Scale Drawing



MODEL NAME LORD KITCHEN

MODEL NUMBER 201010080005

Exploded Drawing



MODEL NAME LORD KITCHEN**MODEL NUMBER 201010080005****Part List**

No.	Item Number	Quantity used
1	304700000166	1
2	120100000017	1
3	120100000022	1
4	121600000004	1
5	121500000003	1
6	120500000099	1
7	305700000198	1
8	120200000049	1
9	317300000001	1
10	120200000043	2
11	122100000067	1
12	120200000018	1
13	314700000024	1
14	318200000069	1
15	123800000004	1
16	120300000025	1
17	121700000004	1
18	313700000002	1
19	307000000040	1
20	120200000082	1
21	123500000010	1
22	121000000027	2
23	121000000040	2