

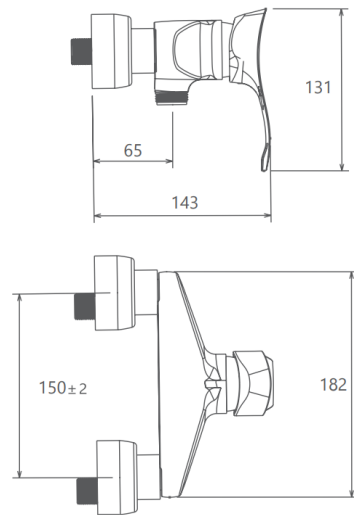
MODEL NAME LORD TOILET

MODEL NUMBER 201030080005

Description

High heat and pressure resistant ceramic cartridge
Less surface sedimentation due to special body design
Fast and easy installation
Easily cleanable
Ergonomic structure
Cartridge size: 40 mm
%100 QC

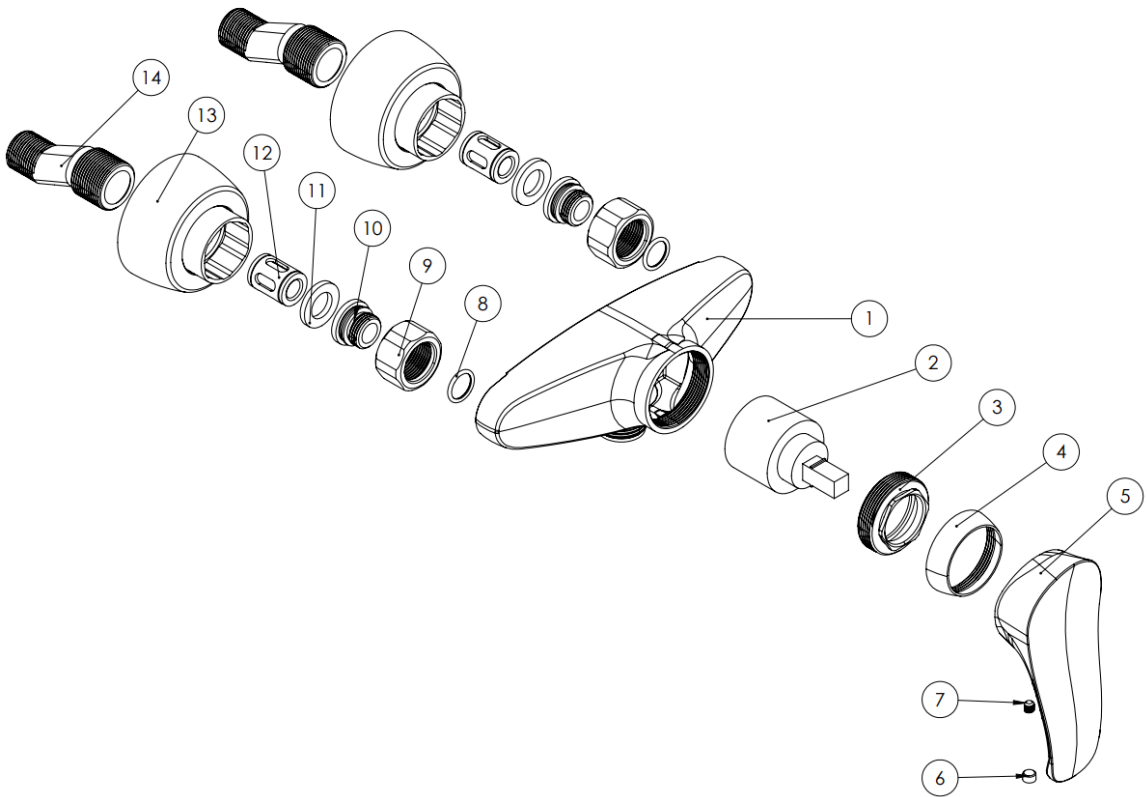
Scale Drawing



MODEL NAME LORD TOILET

MODEL NUMBER 201030080005

Exploded Drawing



MODEL NAME LORD TOILET**MODEL NUMBER 201030080005****Part List**

No.	Item Number	Quantity used
1	304600000123	1
2	120100000017	1
3	120100000022	1
4	121600000004	1
5	305700000198	1
6	120500000099	1
7	121500000003	1
8	120200000019	2
9	315100000002	2
10	123600000003	2
11	120300000037	2
12	127700000009	2
13	309900000022	2
14	122700000001	2