

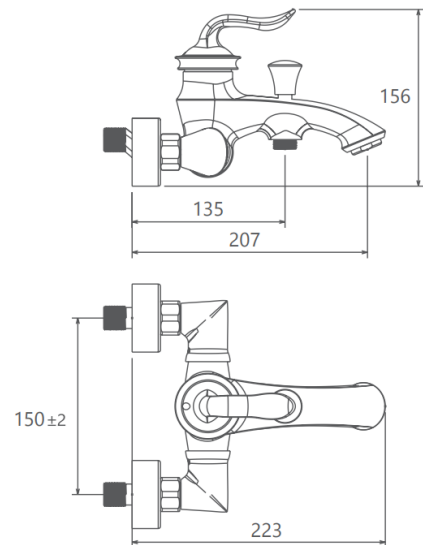
**MODEL NAME LUKA BATH**

**MODEL NUMBER 201020180005**

### Description

High heat and pressure resistant ceramic cartridge  
Water saving perlator  
Less surface sedimentation due to special body design  
State-of-the-art physical vapor deposition (PVD) coating  
Fast and easy installation  
Easily cleanable  
Ergonomic structure  
Cartridge size: 35mm  
%100 QC

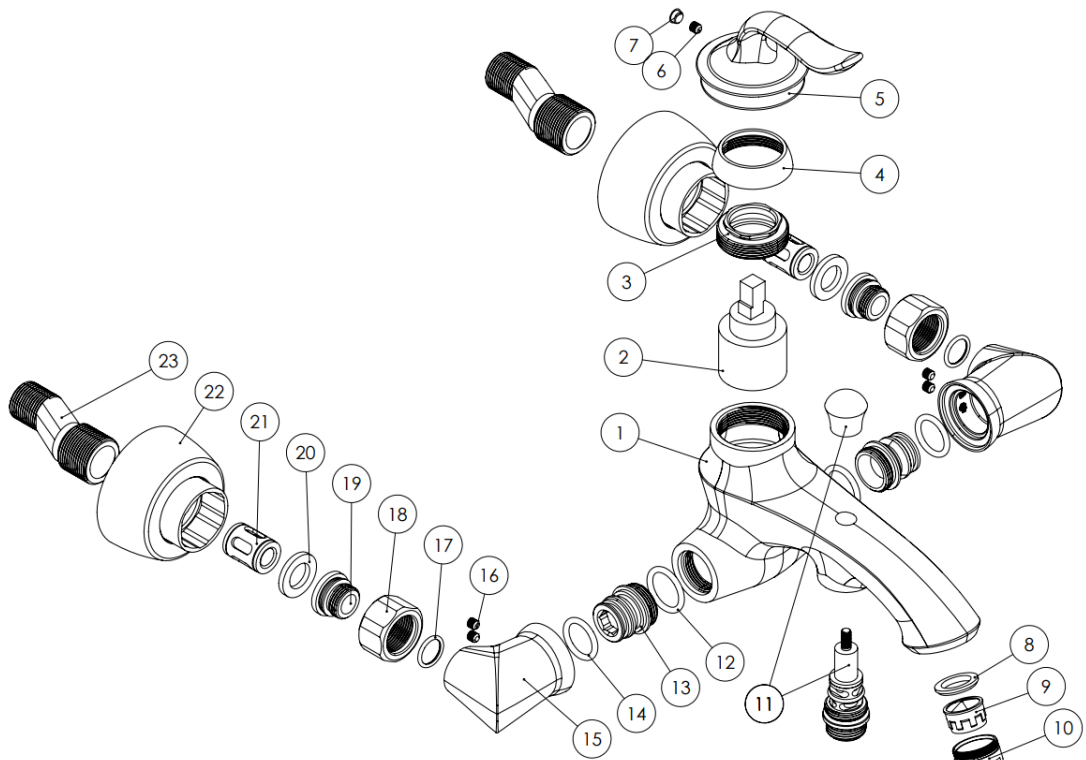
### Scale Drawing



**MODEL NAME LUKA BATH**

**MODEL NUMBER 201020180005**

Exploded Drawing



**MODEL NAME LUKA BATH****MODEL NUMBER 201020180005****Part List**

No.	Item Number	Quantity used
1	304800000169	1
2	120100000012	1
3	120100000024	1
4	310800000001	1
5	305700000202	1
6	120500000099	1
7	121500000003	1
8	120300000025	1
9	121700000002	1
10	313700000002	1
11	120700000022	1
12	120200000023	2
13	122100000026	2
14	120200000047	2
15	300700000037	2
16	120500000100	4
17	120200000019	2
18	315100000002	2
19	123600000003	2
20	120300000037	2
21	127700000009	2
22	309900000022	2
23	122700000001	2