

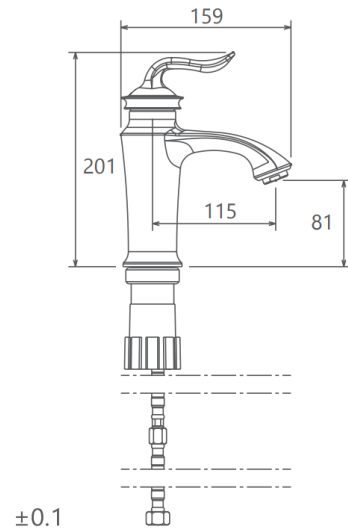
MODEL NAME LUKA FIXED BASIN

MODEL NUMBER 201060180005

Description

High heat and pressure resistant ceramic cartridge
Water saving perlator
Less surface sedimentation due to special body design
State-of-the-art physical vapor deposition (PVD) coating
Fast and easy installation
Easily cleanable
Ergonomic structure
Cartridge size: 35mm
%100 QC

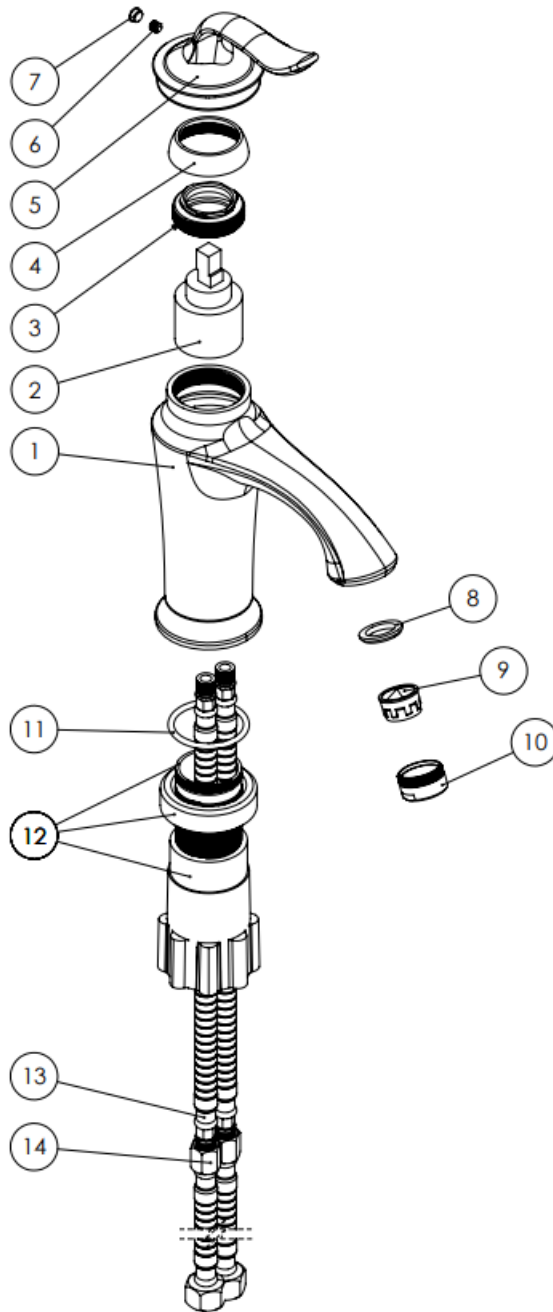
Scale Drawing



MODEL NAME LUKA FIXED BASIN

MODEL NUMBER 201060180005

Exploded Drawing



MODEL NAME LUKA FIXED BASIN**MODEL NUMBER 201060180005****Part List**

No.	Item Number	Quantity used
1	304900000269	1
2	120100000012	1
3	120100000024	1
4	310800000001	1
5	305700000202	1
6	120500000099	1
7	121500000003	1
8	120300000025	1
9	121700000010	1
10	313700000002	1
11	120200000080	1
12	123500000006	1
13	121000000027	2
14	121000000040	2