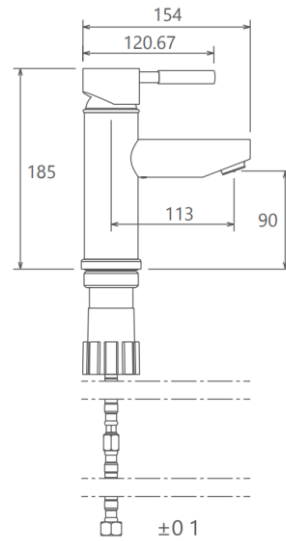


MODEL NAME MONACO PLUS FIXED BASIN **MODEL NUMBER 201060150005**

Description

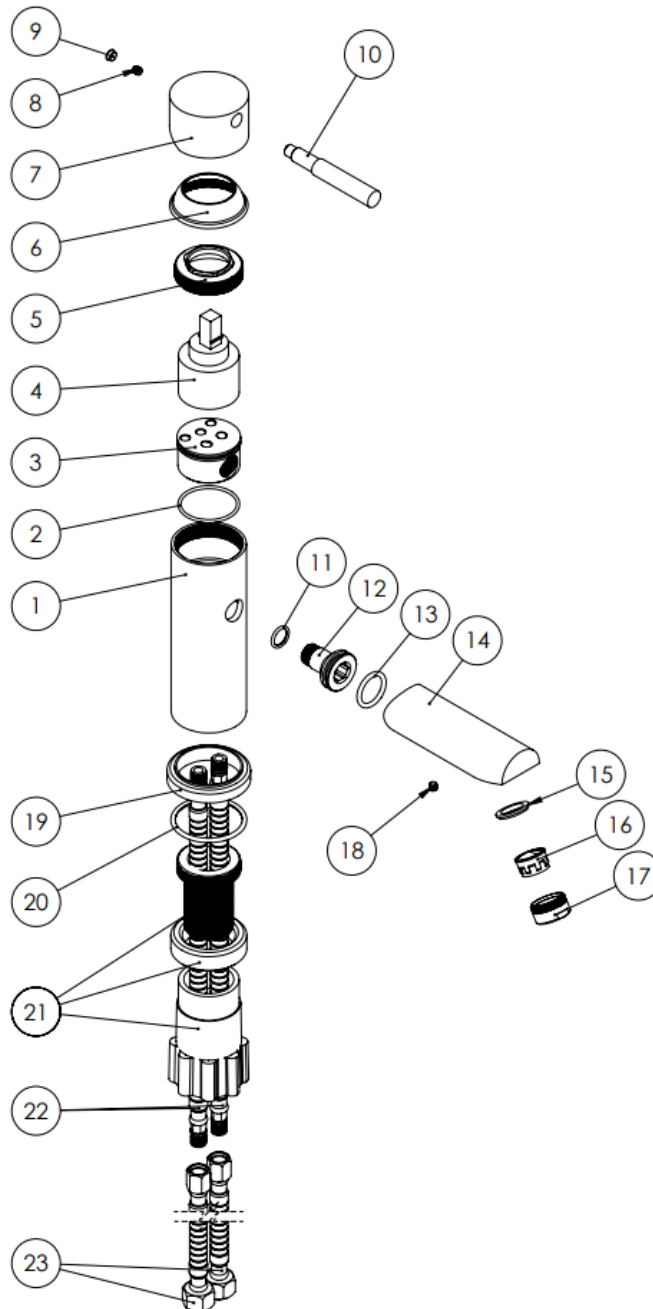
High heat and pressure resistant ceramic cartridge
Water saving perlator
Less surface sedimentation due to special body design
Fast and easy installation
Easily cleanable
Ergonomic structure
Cartridge size: 40mm
%100 QC

Scale Drawing



MODEL NAME MONACO PLUS FIXED BASIN **MODEL NUMBER 201060150005**

Exploded Drawing



**MODEL NAME MONACO PLUS FIXED MODEL NUMBER 201060150005
BASIN**

Part List

No.	Item Number	Quantity used
1	304900000297	1
2	120200000028	1
3	120100000005	1
4	120100000017	1
5	120100000026	1
6	121600000006	1
7	316400000049	1
8	120500000099	1
9	121500000003	1
10	305900000095	1
11	120200000016	1
12	122100000010	1
13	120200000074	1
14	300400000238	1
15	120300000025	1
16	121700000010	1
17	313700000002	1
18	120500000103	1
19	306500000022	1
20	120200000082	1
21	123500000009	1
22	121000000027	2
23	121000000040	2