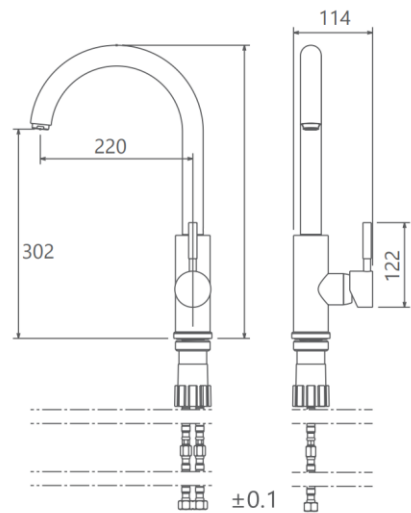


MODEL NAME MONACO PLUS KITCHEN MODEL NUMBER 201010150005

Description

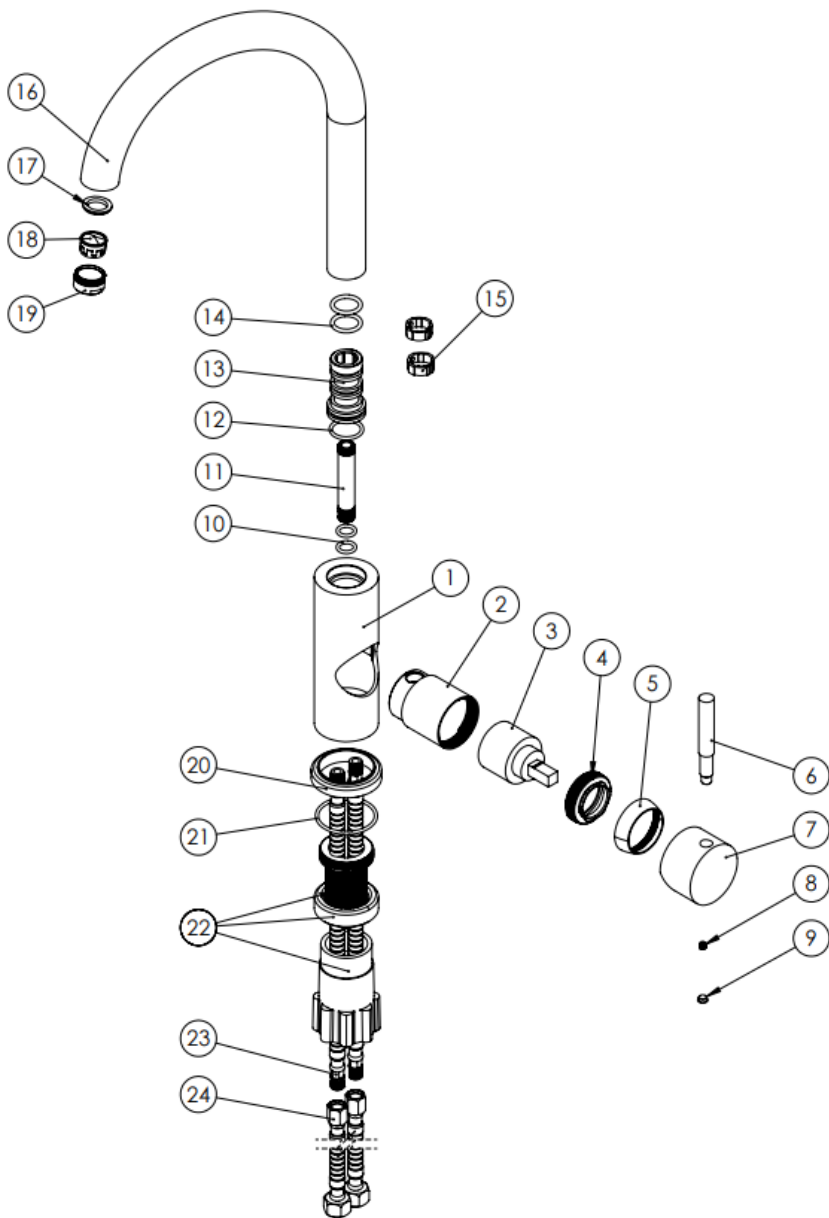
High heat and pressure resistant ceramic cartridge
Water saving perlator
Less surface sedimentation due to special body design
Fast and easy installation
Easily cleanable
Ergonomic structure
Cartridge size: 40mm
%100 QC

Scale Drawing



MODEL NAME MONACO PLUS KITCHEN MODEL NUMBER 201010150005

Exploded Drawing



MODEL NAME MONACO PLUS KITCHEN MODEL NUMBER 201010150005

Part List

No.	Item Number	Quantity used	No.	Item Number	Quantity used
1	304700000276	1	24	121000000040	2
2	303100000001	1			
3	120100000017	1			
4	120100000025	1			
5	310900000001	1			
6	305900000095	1			
7	316400000049	1			
8	120500000099	2			
9	121500000003	1			
10	120200000037	2			
11	122100000007	1			
12	120200000050	1			
13	317800000049	1			
14	120200000084	2			
15	123800000006	2			
16	318200000061	1			
17	120300000025	1			
18	121700000004	1			
19	313700000002	1			
20	306500000022	1			
21	120200000082	1			
22	123500000010	1			
23	121000000027	2			