

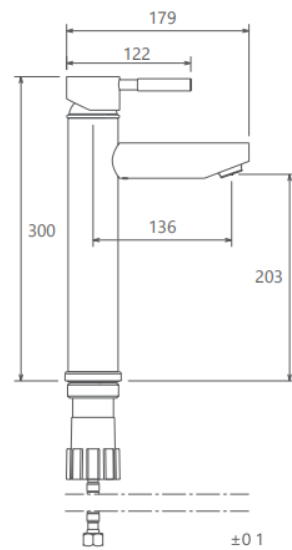
**MODEL NAME MONACO PLUS TALL
BASIN**

MODEL NUMBER 201050150005

Description

High heat and pressure resistant ceramic cartridge
Water saving perlator
Less surface sedimentation due to special body design
Fast and easy installation
Easily cleanable
Ergonomic structure
Cartridge size: 40mm
%100 QC

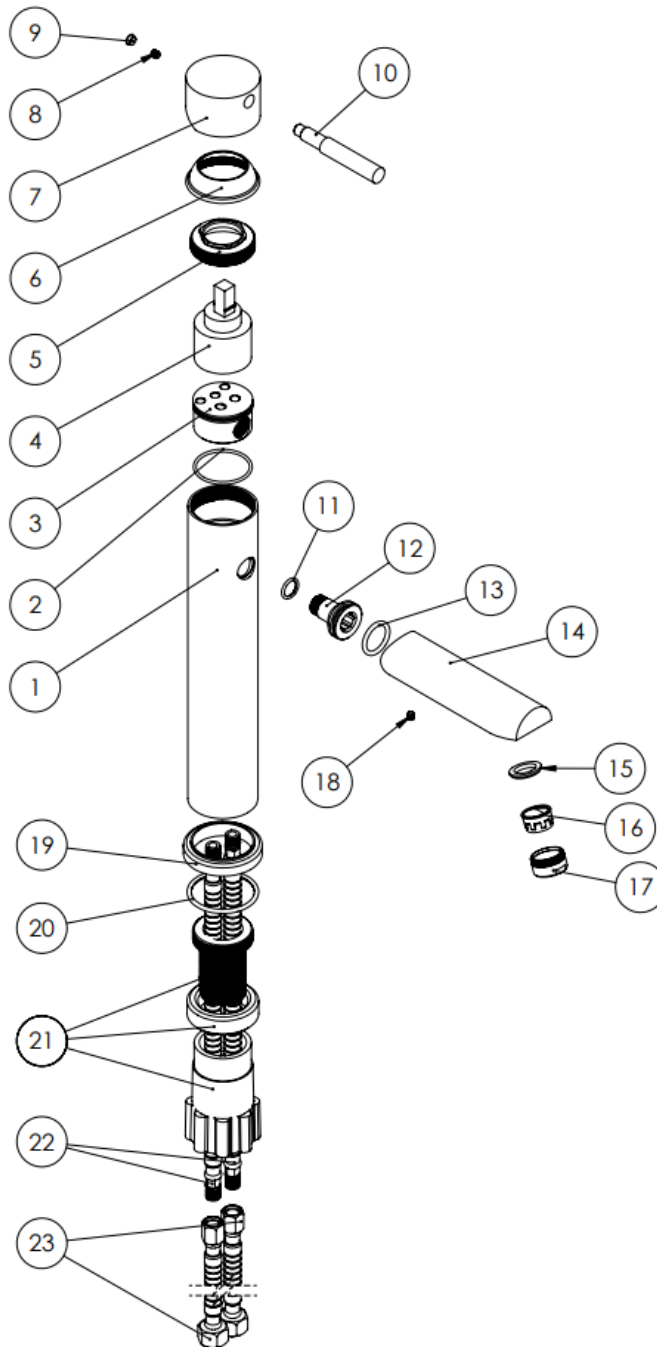
Scale Drawing



**MODEL NAME MONACO PLUS TALL
BASIN**

MODEL NUMBER 201050150005

Exploded Drawing



MODEL NAME MONACO PLUS TALL MODEL NUMBER 201050150005
BASIN

Part List

No.	Item Number	Quantity used
1	304900000297	1
2	120200000028	1
3	120100000005	1
4	120100000017	1
5	120100000026	1
6	121600000006	1
7	316400000049	1
8	120500000099	1
9	121500000003	1
10	305900000095	1
11	120200000016	1
12	122100000010	1
13	120200000074	1
14	300400000238	1
15	120300000025	1
16	121700000010	1
17	313700000002	1
18	120500000103	1
19	306500000022	1
20	120200000082	1
21	123500000009	1
22	121000000027	2
23	121000000040	2