

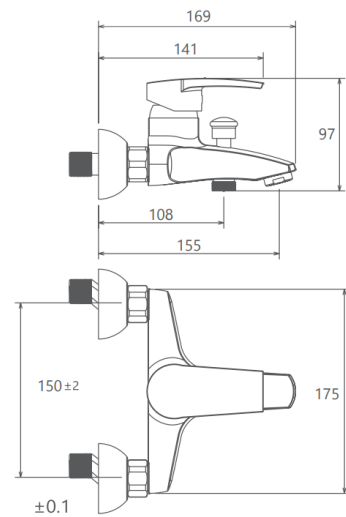
MODEL NAME PLUS BATH

MODEL NUMBER 201020020005

Description

High heat and pressure resistant ceramic cartridge
Water saving perlator
Less surface sedimentation due to special body design
Fast and easy installation
Easily cleanable
Ergonomic structure
Cartridge size: 35mm
%100 QC

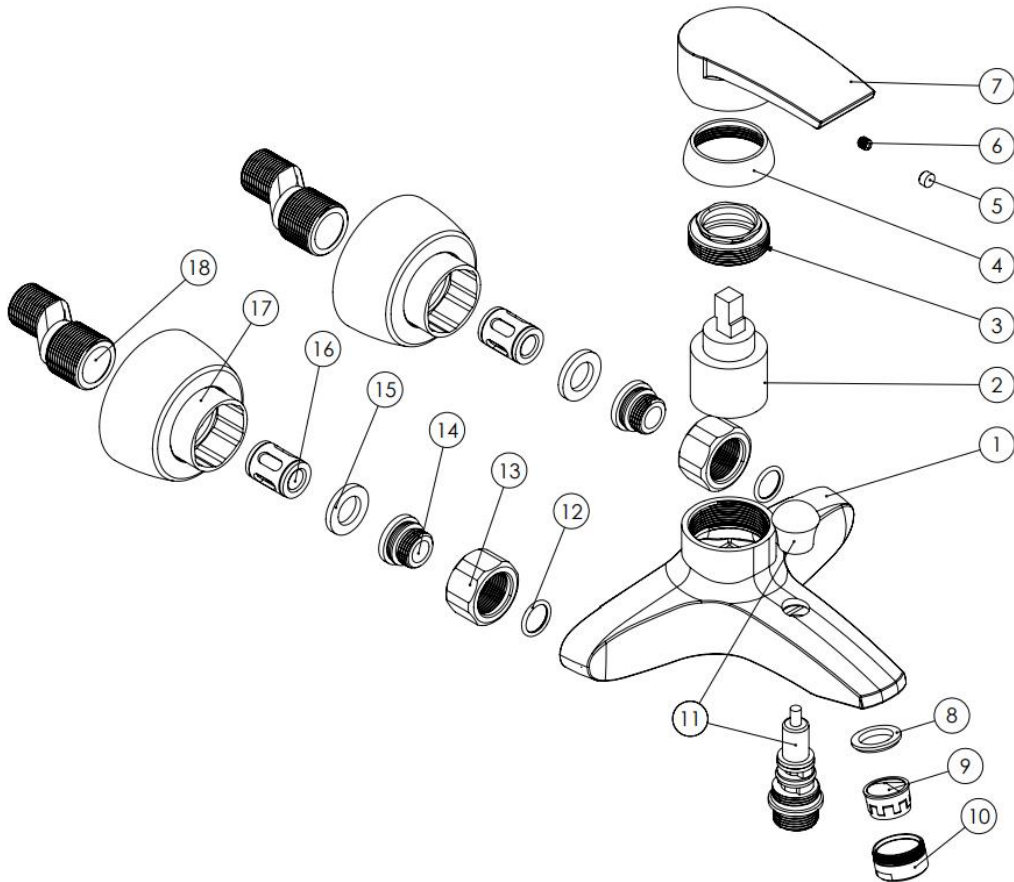
Scale Drawing



MODEL NAME PLUS BATH

MODEL NUMBER 201020020005

Exploded Drawing



MODEL NAME PLUS BATH**MODEL NUMBER 201020020005****Part List**

No.	Item Number	Quantity used
1	304800000089	1
2	120100000012	1
3	120100000024	1
4	310800000001	1
5	121500000003	1
6	120500000099	1
7	305700000093	1
8	120300000025	1
9	121700000002	1
10	313700000002	1
11	120700000011	1
12	120200000019	2
13	315100000002	2
14	123600000003	2
15	120300000037	2
16	127700000009	2
17	309900000032	2
18	122700000001	2