

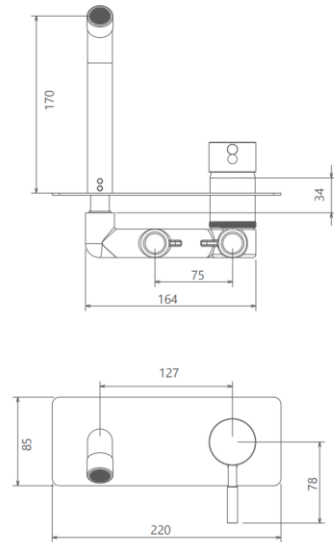
**MODEL NAME ROGEN BASIN**

**MODEL NUMBER 202180381518**

**Description**

High heat and pressure resistant ceramic cartridge  
Fast and easy installation  
Easily cleanable  
Less space occupancy  
Ergonomic structure  
Cartridge size: 35 mm  
%100 QC

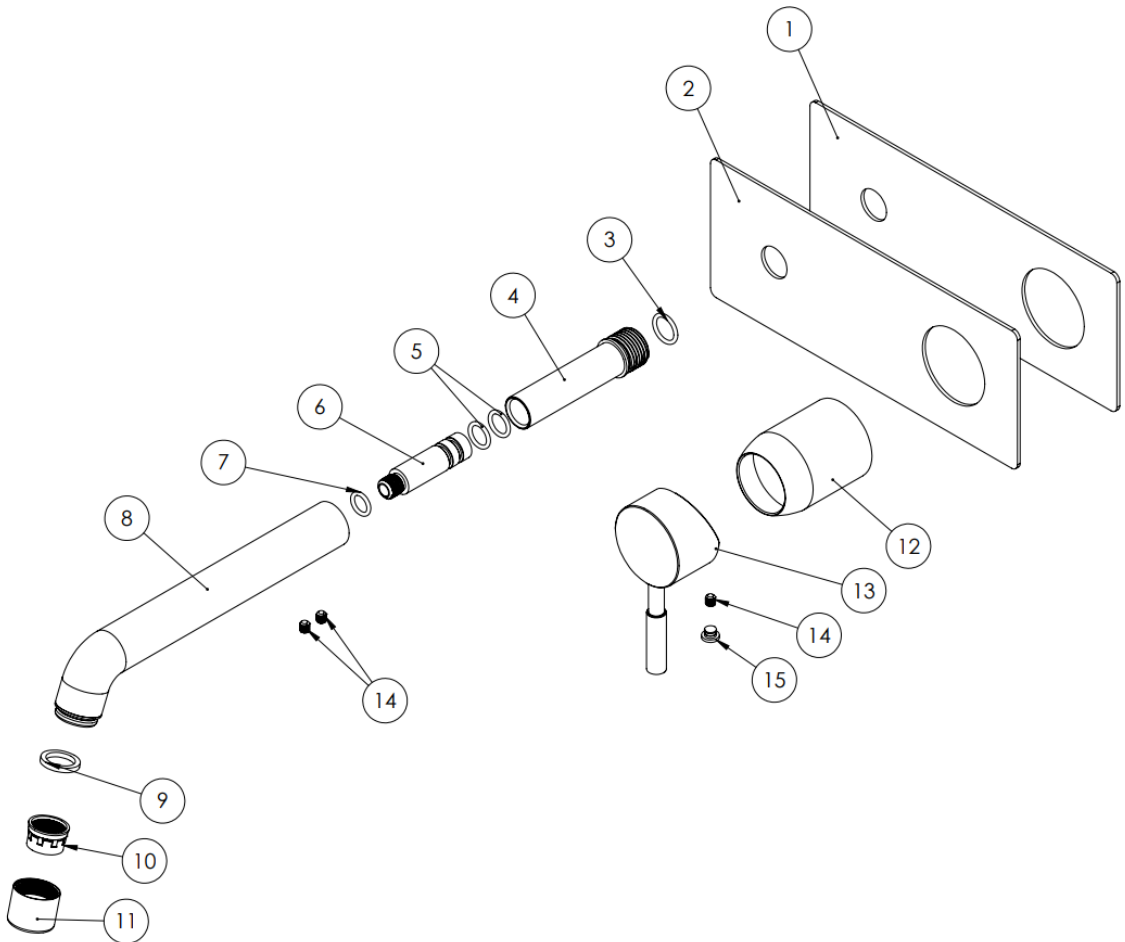
**Scale Drawing**



**MODEL NAME ROGEN BASIN**

**MODEL NUMBER 202180381518**

Exploded Drawing



**MODEL NAME ROGEN BASIN****MODEL NUMBER 202180381518****Part List**

| No. | Item Number  | Quantity used |
|-----|--------------|---------------|
| 1   | 127700000006 | 1             |
| 2   | 303600000001 | 1             |
| 3   | 120200000020 | 1             |
| 4   | 122100000017 | 1             |
| 5   | 120200000017 | 2             |
| 6   | 122100000018 | 1             |
| 7   | 120200000037 | 1             |
| 8   | 300400000189 | 1             |
| 9   | 120300000029 | 1             |
| 10  | 121700000010 | 1             |
| 11  | 313700000058 | 1             |
| 12  | 311600000001 | 1             |
| 13  | 305700000225 | 1             |
| 14  | 120500000099 | 3             |
| 15  | 121500000003 | 1             |