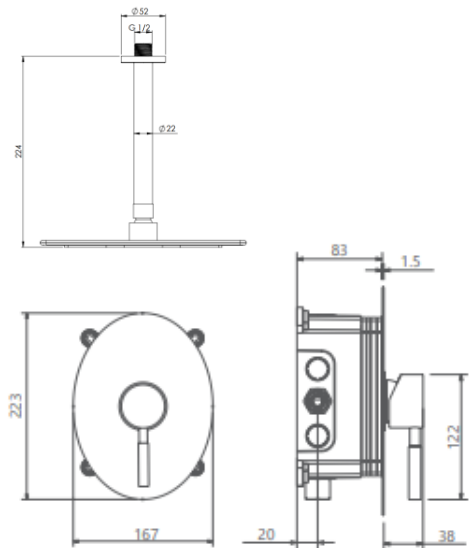


MODEL NAME ROGEN BATHROOM-TYPE 1 MODEL NUMBER 202150380105

Description

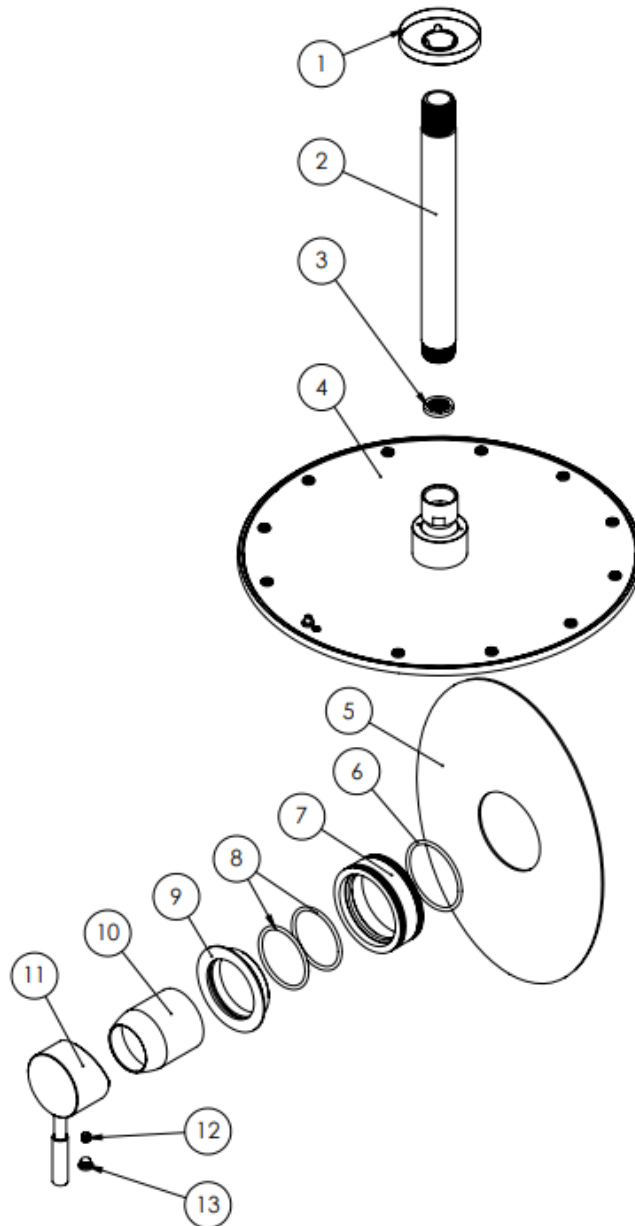
High heat and pressure resistant ceramic cartridge
Fast and easy installation
Shower head silicon nozzles with less sedimentation
Concealed showers, offered in two wall and/or ceiling mounted types
Access to interior parts without damaging the wall
Flexible for layout
Less space occupancy
Easily cleanable
Ergonomic structure
Cartridge size: 35 mm
%100 QC

Scale Drawing



MODEL NAME ROGEN BATHROOM-TYPE 1 MODEL NUMBER 202150380105

Exploded Drawing



MODEL NAME ROGEN BATHROOM-TYPE 1 MODEL NUMBER 202150380105

Part List

No.	Item Number	Quantity used
1	309900000038	1
2	313200000001	1
3	120300000023	1
4	312600000021	1
5	303400000001	1
6	120200000068	1
7	301500000007	1
8	120200000061	2
9	120100000009	1
10	311500000001	1
11	305700000225	1
12	120500000099	1
13	121500000003	1