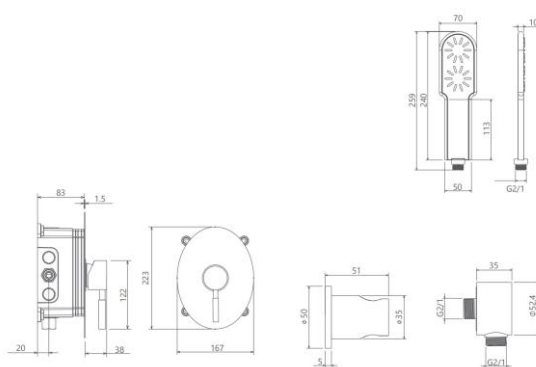


MODEL NAME ROGEN BATHROOM-TYPE 2 MODEL NUMBER 202150380605

Description

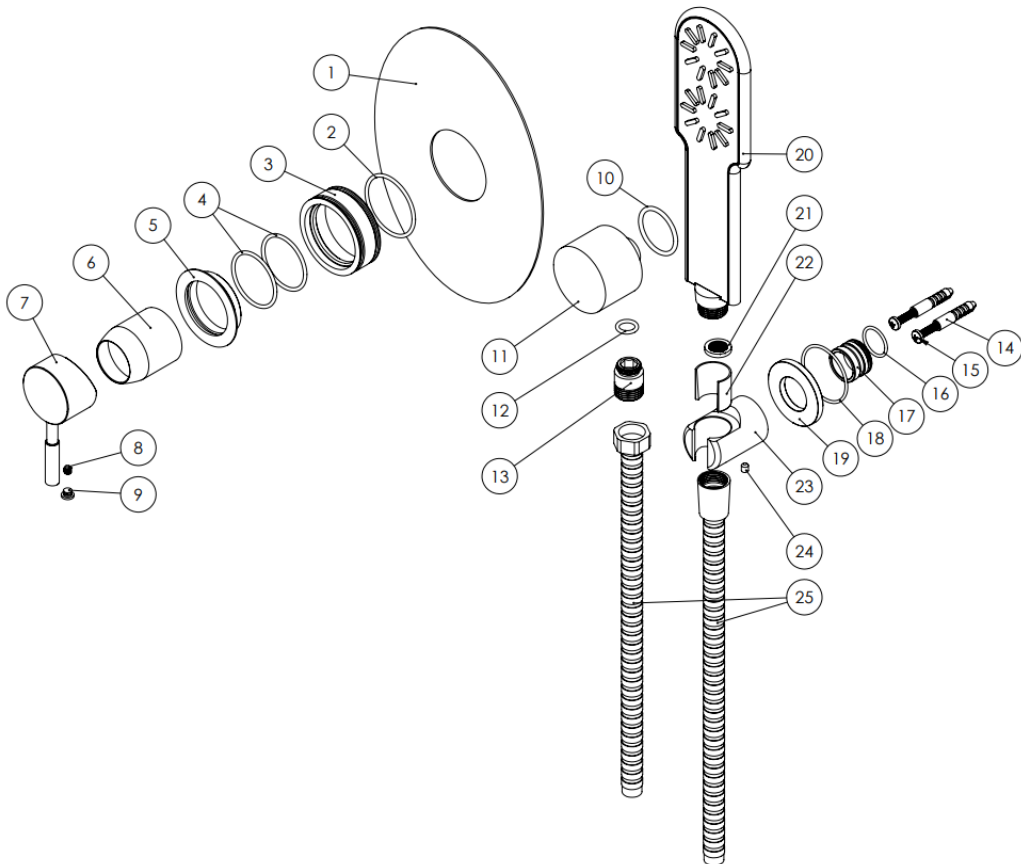
High heat and pressure resistant ceramic cartridge
Fast and easy installation
Shower head silicon nozzles with less sedimentation
Concealed showers, offered in two wall and/or ceiling mounted types
Access to interior parts without damaging the wall
Flexible for layout
Less space occupancy
Easily cleanable
Ergonomic structure
Cartridge size: 35 mm
%100 QC

Scale Drawing



MODEL NAME ROGEN BATHROOM-TYPE 2 MODEL NUMBER 202150380605

Exploded Drawing



MODEL NAME ROGEN BATHROOM-TYPE 2 MODEL NUMBER 202150380605

Part List

No.	Item Number	Quantity used	No.	Item Number	Quantity used
1	303400000001	1	24	120500000099	1
2	120200000068	1	25	121000000064	1
3	301500000007	1			
4	120200000061	2			
5	120100000009	1			
6	311500000001	1			
7	305700000225	1			
8	120500000101	1			
9	121500000003	1			
10	120200000080	1			
11	309400000001	1			
12	120200000043	1			
13	317700000005	1			
14	900000002438	2			
15	120500000086	2			
16	120200000024	1			
17	122100000028	1			
18	120200000039	1			
19	306500000030	1			
20	312500000026	1			
21	120300000023	1			
22	122100000033	1			
23	302600000010	1			