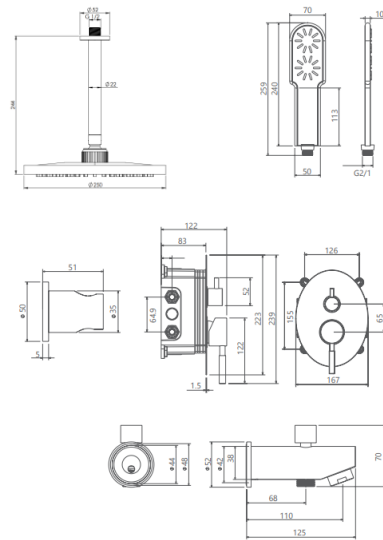


MODEL NAME ROGEN BATHROOM-TYPE 4 MODEL NUMBER 202150381105

Description

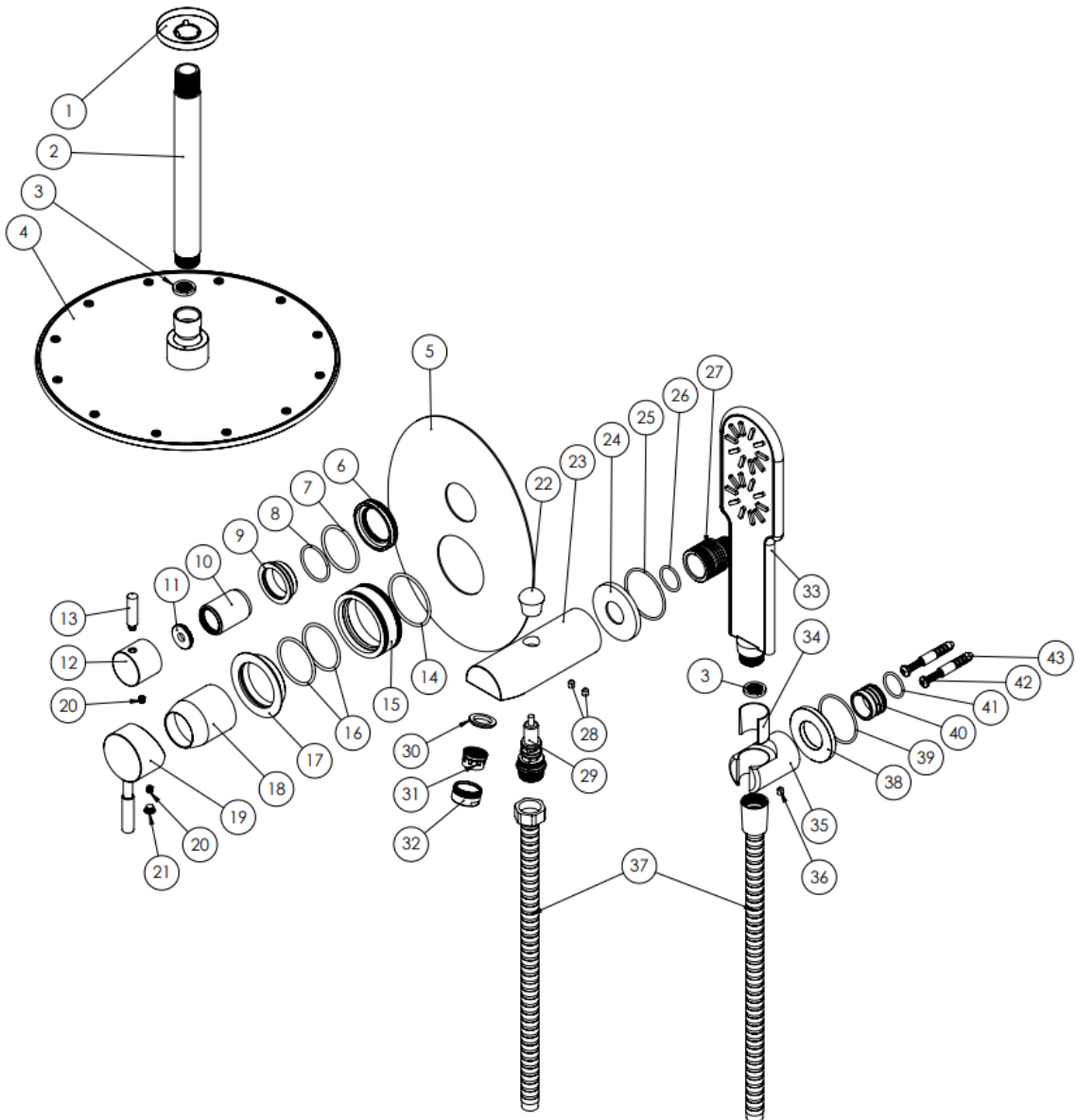
High heat and pressure resistant ceramic cartridge
Fast and easy installation
Shower head silicon nozzles with less sedimentation
Concealed showers, offered in two wall and/or ceiling mounted types
Access to interior parts without damaging the wall
Flexible for layout
Less space occupancy
Easily cleanable
Ergonomic structure
Cartridge size: 35 mm
%100 QC

Scale Drawing



MODEL NAME ROGEN BATHROOM-TYPE 4 MODEL NUMBER 202150381105

Exploded Drawing



MODEL NAME ROGEN BATHROOM-TYPE 4 MODEL NUMBER 202150381105

Part List

No.	Item Number	Quantity used	No.	Item Number	Quantity used
1	309900000038	1	24	306500000030	1
2	313200000001	1	25	120200000033	1
3	120300000023	1	26	120200000049	2
4	312600000021	1	27	122100000013	1
5	303500000001	1	28	120500000100	2
6	121300000007	1	29	120700000006	1
7	120200000031	1	30	120300000024	1
8	120200000025	1	31	121700000003	1
9	301400000001	1	32	313700000010	1
10	302200000004	1	33	312500000026	1
11	124100000004	1	34	122100000033	1
12	306000000001	1	35	302600000010	1
13	305900000048	1	36	120500000101	1
14	120200000068	1	37	121000000064	1
15	120100000009	1	38	307100000002	1
16	120200000061	2	39	120200000039	1
17	301500000007	1	40	122100000028	1
18	311500000001	1	41	120200000024	1
19	305700000225	1	42	120500000086	2
20	120500000099	2	43	90000002438	2
21	121500000003	1			
22	305700000164	1			
23	300400000258	1			