

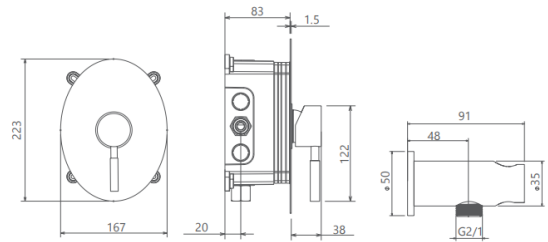
MODEL NAME ROGEN TOILET

MODEL NUMBER 202160380005

Description

High heat and pressure resistant ceramic cartridge
Fast and easy installation
Access to interior parts without damaging the wall
Flexible for layout
Less space occupancy
Easily cleanable
Ergonomic structure
Cartridge size: 35 mm
%100 QC

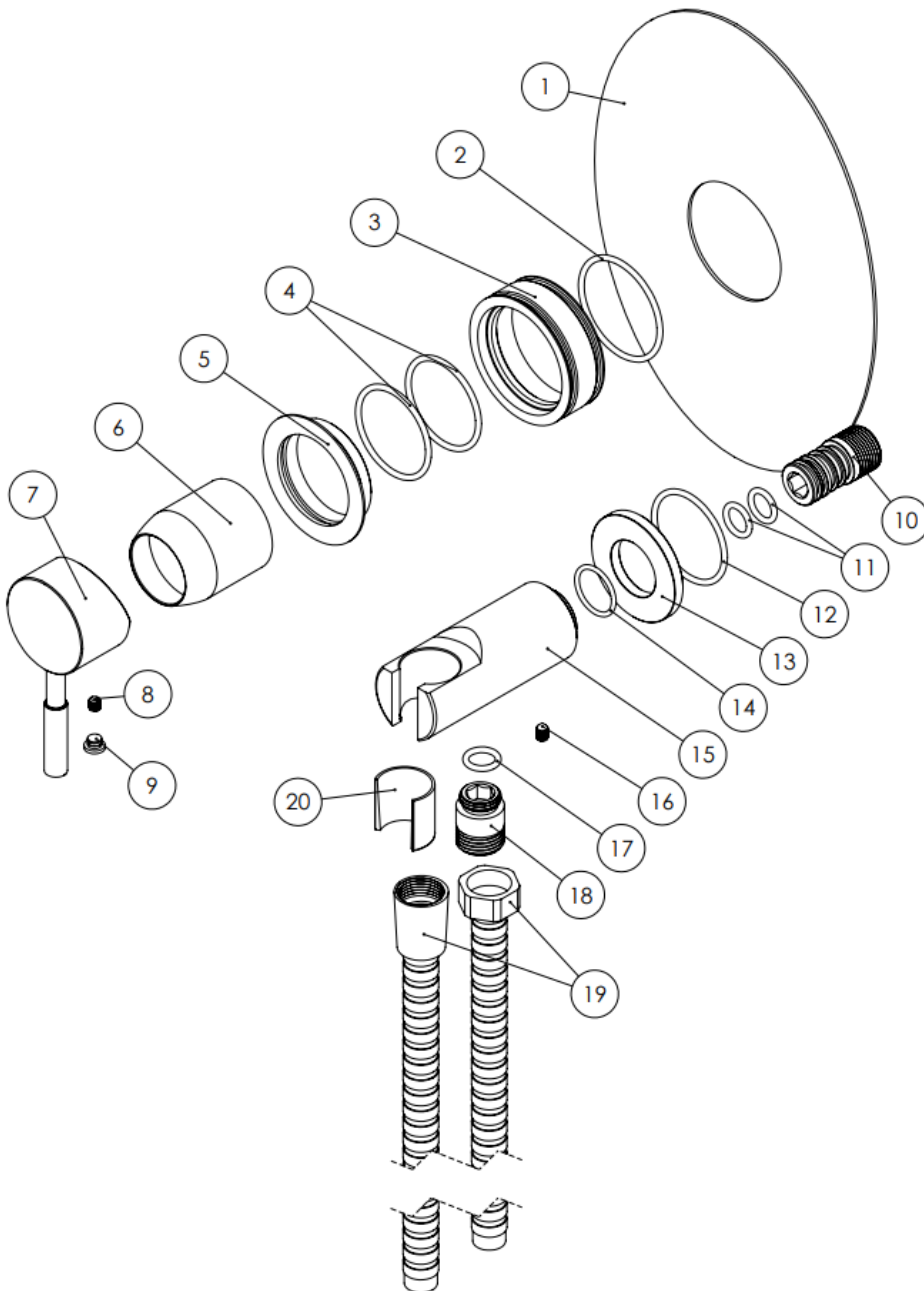
Scale Drawing



MODEL NAME ROGEN TOILET

MODEL NUMBER 202160380005

Exploded Drawing



MODEL NAME ROGEN TOILET**MODEL NUMBER 202160380005****Part List**

No.	Item Number	Quantity used
1	303400000001	1
2	120200000068	1
3	120100000009	1
4	120200000061	2
5	301500000007	1
6	311500000001	1
7	305700000225	1
8	120500000099	1
9	121500000003	1
10	122100000070	1
11	120200000044	2
12	120200000080	1
13	306500000030	1
14	120200000024	1
15	316800000001	1
16	120500000101	1
17	120200000043	1
18	317700000005	1
19	121000000022	1
20	122100000033	1