

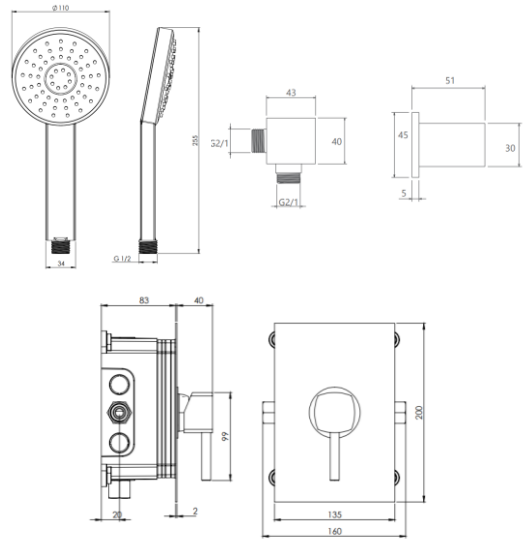
**MODEL NAME ROMER BATHROOM-
TYPE 2-ABS**

MODEL NUMBER 202150390605

Description

High heat and pressure resistant ceramic cartridge
Fast and easy installation
Shower head silicon nozzles with less sedimentation
Concealed showers, offered in two wall and/or ceiling mounted types
Access to interior parts without damaging the wall
Flexible for layout
Less space occupancy
Easily cleanable
Ergonomic structure
Cartridge size: 35 mm
%100 QC

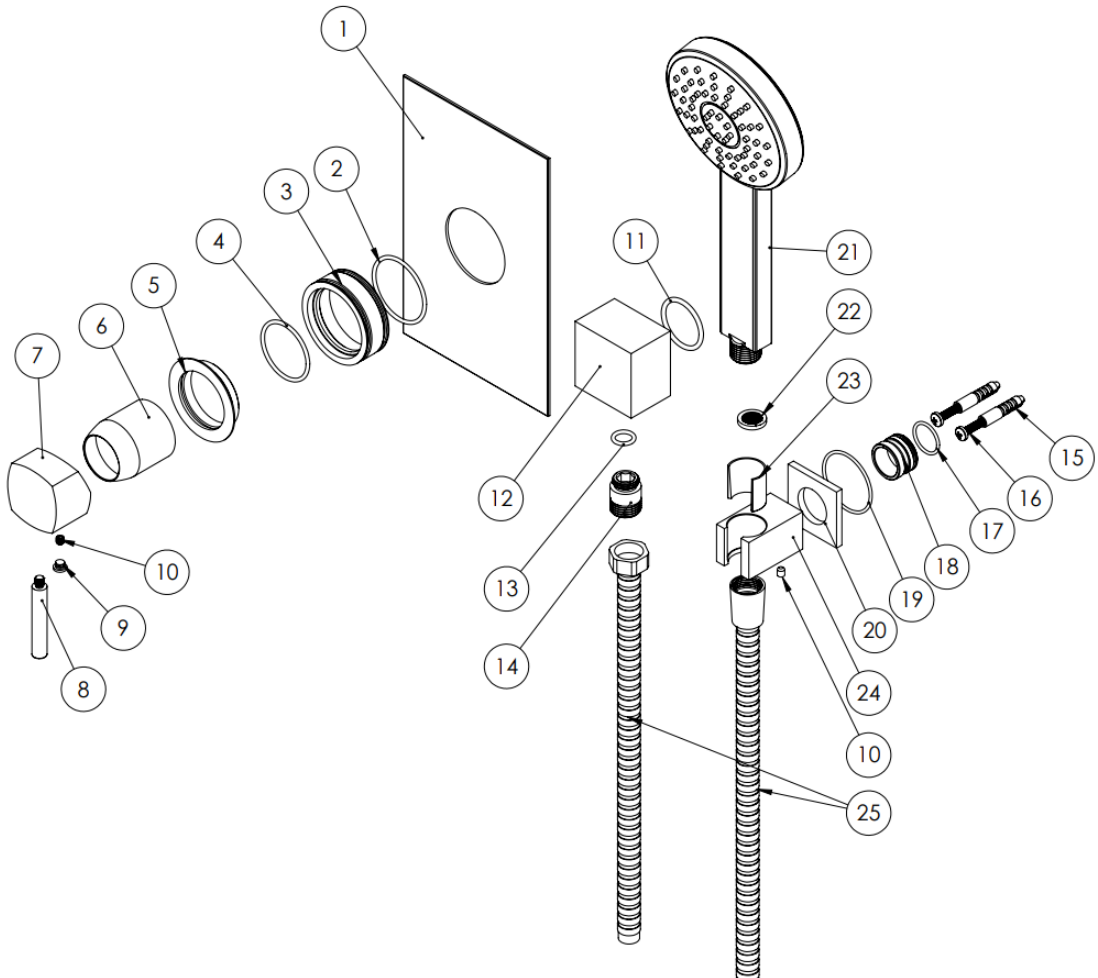
Scale Drawing



**MODEL NAME ROMER BATHROOM-
TYPE 2-ABS**

MODEL NUMBER 202150390605

Exploded Drawing



**MODEL NAME ROMER BATHROOM-
TYPE 2-ABS** **MODEL NUMBER 202150390605**

Part List

No.	Item Number	Quantity used	No.	Item Number	Quantity used
1	303400000012	1	24	302600000020	1
2	120200000068	1	25	121000000064	1
3	120100000009	1			
4	120200000061	1			
5	301500000007	1			
6	311500000001	1			
7	316400000089	1			
8	305900000103	1			
9	121500000003	1			
10	120500000099	2			
11	120200000080	1			
12	309500000001	1			
13	120200000043	1			
14	317700000014	1			
15	900000002438	2			
16	120500000086	2			
17	120200000024	1			
18	122100000028	1			
19	120200000039	1			
20	307200000013	1			
21	312500000005	1			
22	120300000023	1			
23	122100000033	1			