

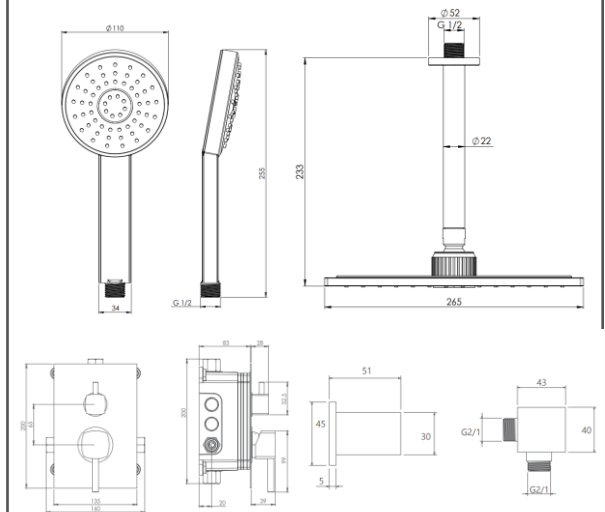
**MODEL NAME ROMER BATHROOM-  
TYPE 3-ABS**

**MODEL NUMBER 202150390805**

**Description**

High heat and pressure resistant ceramic cartridge  
 Fast and easy installation  
 Shower head silicon nozzles with less sedimentation  
 Concealed showers, offered in two wall and/or ceiling mounted types  
 Access to interior parts without damaging the wall  
 Flexible for layout  
 Less space occupancy  
 Easily cleanable  
 Ergonomic structure  
 Cartridge size: 35 mm  
 %100 QC

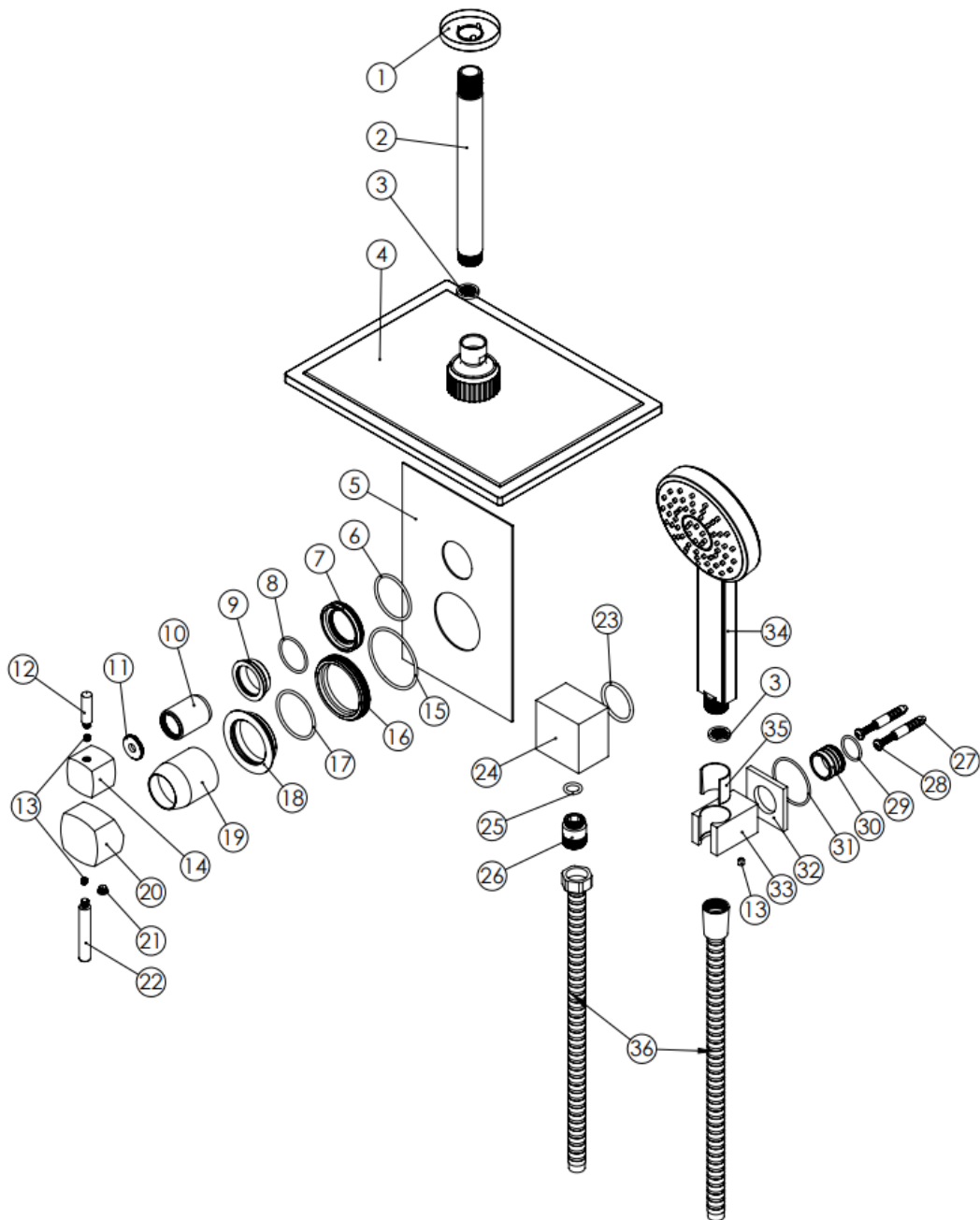
**Scale Drawing**



**MODEL NAME ROMER BATHROOM-  
TYPE 3-ABS**

**MODEL NUMBER 202150390805**

Exploded Drawing



**MODEL NAME ROMER BATHROOM-  
TYPE 3-ABS**

**MODEL NUMBER 202150390805**

Part List

No.	Item Number	Quantity used	No.	Item Number	Quantity used
1	309900000038	1	24	120500000097	1
2	313200000001	1	25	305900000030	1
3	120300000023	2	26	120200000080	1
4	312600000037	1	27	309400000001	1
5	303500000024	1	28	120200000043	1
6	120200000031	1	29	317700000005	1
7	124100000005	1	30	312500000052	1
8	302200000004	1	31	122100000033	1
9	124100000004	1	32	121000000064	1
10	120200000025	1	33	120500000100	2
11	301400000001	1	34	302600000001	1
12	305900000056	1	35	306800000001	1
13	120500000099	1	36	120200000028	1
14	121500000003	1	37	900000001829	2
15	120200000068	1	38	900000002438	2
16	124100000006	1			
17	120200000061	1			
18	301500000007	1			
19	311500000001	1			
20	305900000113	1			
21	304200000002	1			
22	120500000078	1			
23	312100000001	1			