

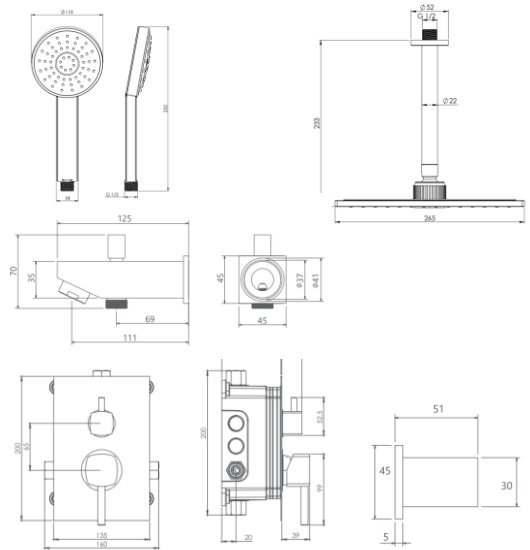
**MODEL NAME ROMER BATHROOM-  
TYPE 4-ABS**

**MODEL NUMBER 202150391205**

**Description**

High heat and pressure resistant ceramic cartridge  
 Fast and easy installation  
 Shower head silicon nozzles with less sedimentation  
 Concealed showers, offered in two wall and/or ceiling mounted types  
 Access to interior parts without damaging the wall  
 Flexible for layout  
 Less space occupancy  
 Easily cleanable  
 Ergonomic structure  
 Cartridge size: 35 mm  
 %100 QC

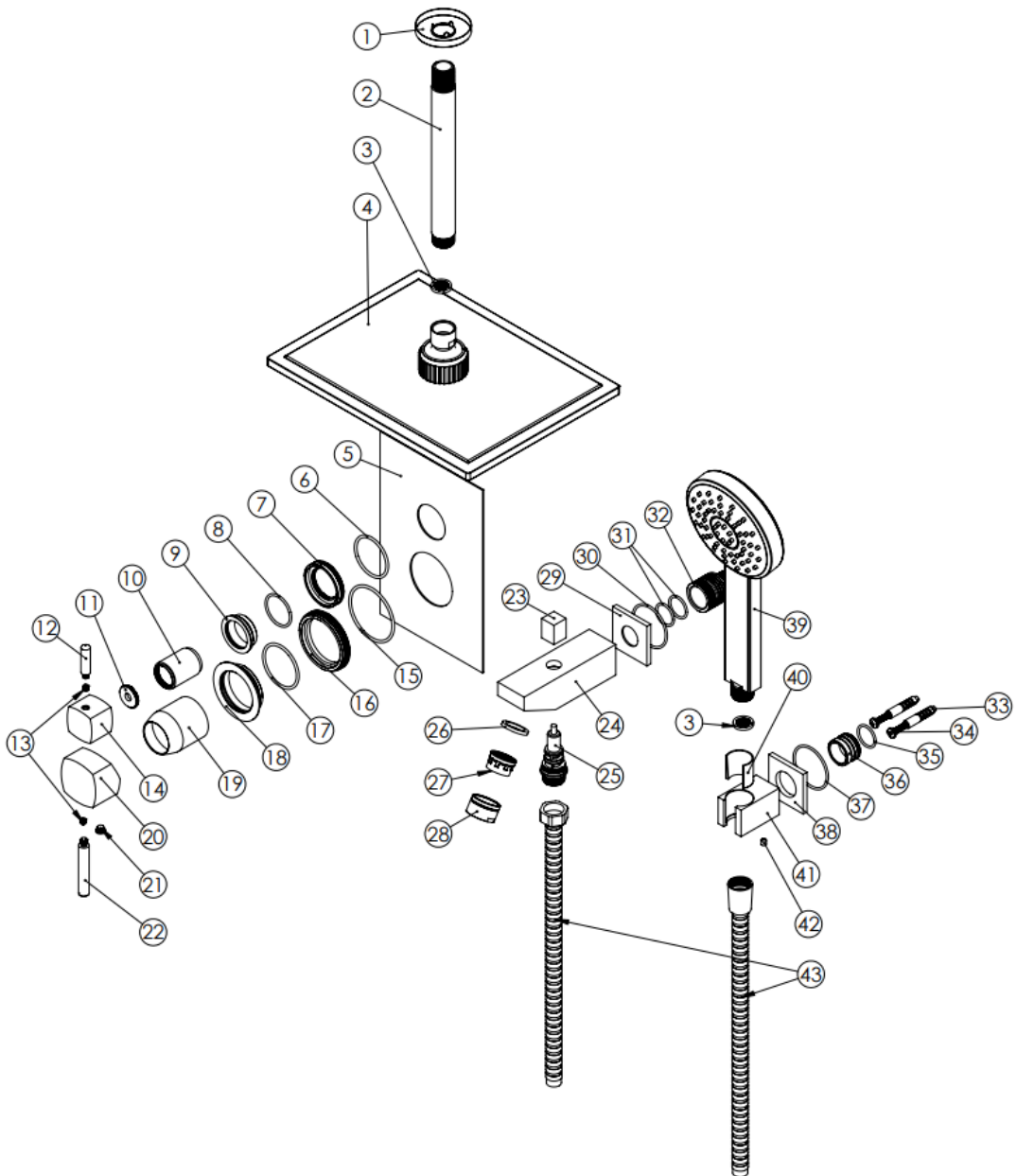
**Scale Drawing**



**MODEL NAME ROMER BATHROOM-  
TYPE 4-ABS**

**MODEL NUMBER 202150391205**

Exploded Drawing



**MODEL NAME ROMER BATHROOM-  
TYPE 4-ABS**

**MODEL NUMBER 202150391205**

Part List

No.	Item Number	Quantity used	No.	Item Number	Quantity used
1	309900000038	1	24	300400000270	1
2	313200000001	1	25	120700000006	1
3	120300000023	1	26	120300000024	1
4	312600000006	1	27	121700000003	1
5	303500000012	1	28	313700000010	1
6	120200000031	1	29	307200000013	1
7	121300000007	1	30	120200000028	1
8	120200000025	1	31	120200000049	2
9	301400000001	1	32	122100000013	1
10	302200000004	1	33	900000002438	2
11	124100000004	1	34	120500000086	2
12	305900000048	1	35	120200000024	1
13	120500000101	2	36	12 2100000028	1
14	306000000008	1	37	120200000080	1
15	120200000068	1	38	307200000007	1
16	120100000009	1	39	312500000005	1
17	120200000061	1	40	122100000033	1
18	301500000007	1	41	302600000020	1
19	311500000001	1	42	120500000099	3
20	316400000089	1	43	121000000064	1
21	121500000003	1			
22	305900000103	1			
23	305700000180	1			