

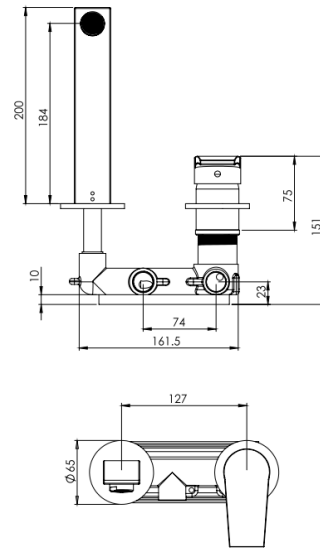
**MODEL NAME ROMER PLUS BASIN
(TWO PART)**

MODEL NUMBER 202180401605

Description

High heat and pressure resistant ceramic cartridge
Fast and easy installation
Easily cleanable
Flexible for layout
Less space occupancy
Ergonomic structure
Cartridge size: 35 mm
%100 QC

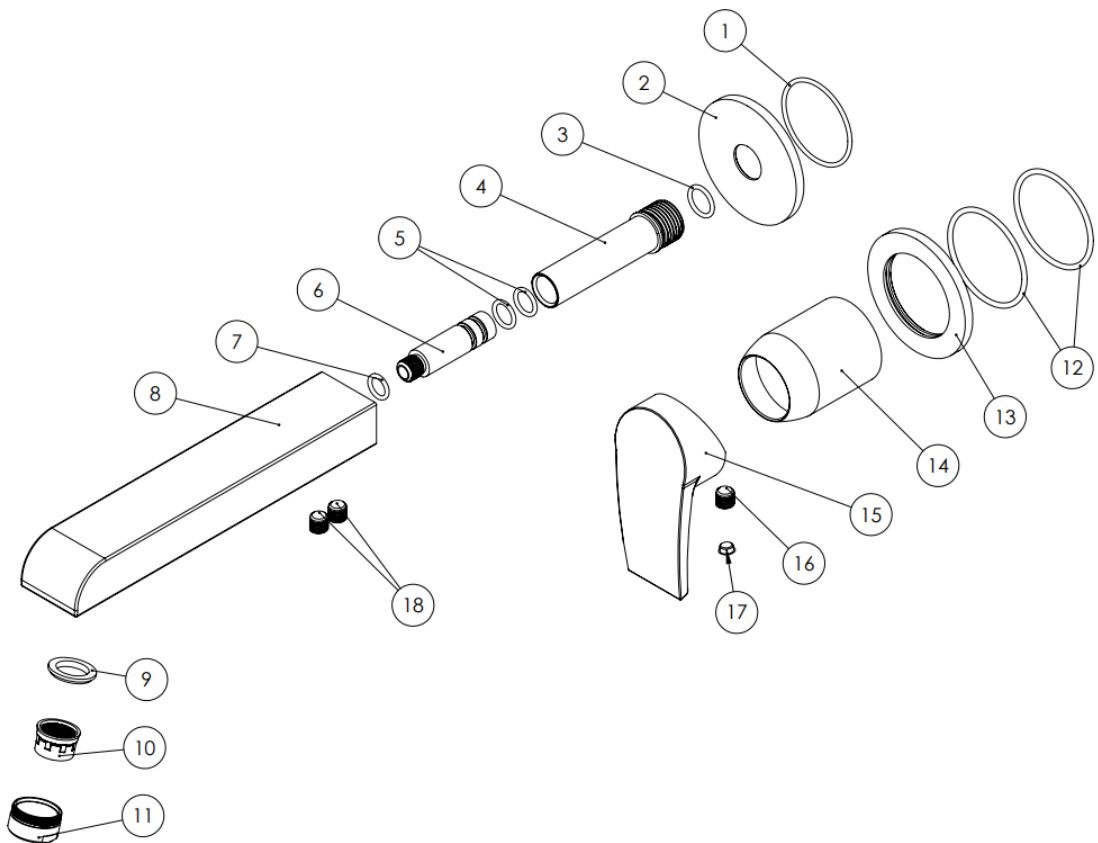
Scale Drawing



**MODEL NAME ROMER PLUS BASIN
(TWO PART)**

MODEL NUMBER 202180401605

Exploded Drawing



**MODEL NAME ROMER PLUS BASIN
(TWO PART)**

MODEL NUMBER 202180401605

Part List

No.	Item Number	Quantity used
1	120200000033	1
2	306600000001	1
3	120200000020	1
4	122100000017	1
5	120200000017	2
6	122100000018	1
7	120200000037	1
8	300400000198	1
9	120300000025	1
10	121700000010	1
11	313700000002	1
12	120200000067	2
13	306900000005	1
14	311600000001	1
15	305700000093	1
16	120500000099	1
17	121500000003	1
18	120500000098	2