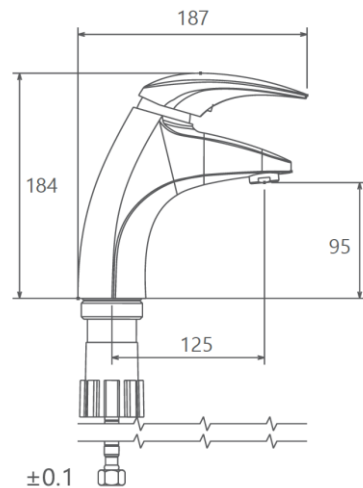


MODEL NAME SENIOR FIXED BASIN MODEL NUMBER 201060120005

Description

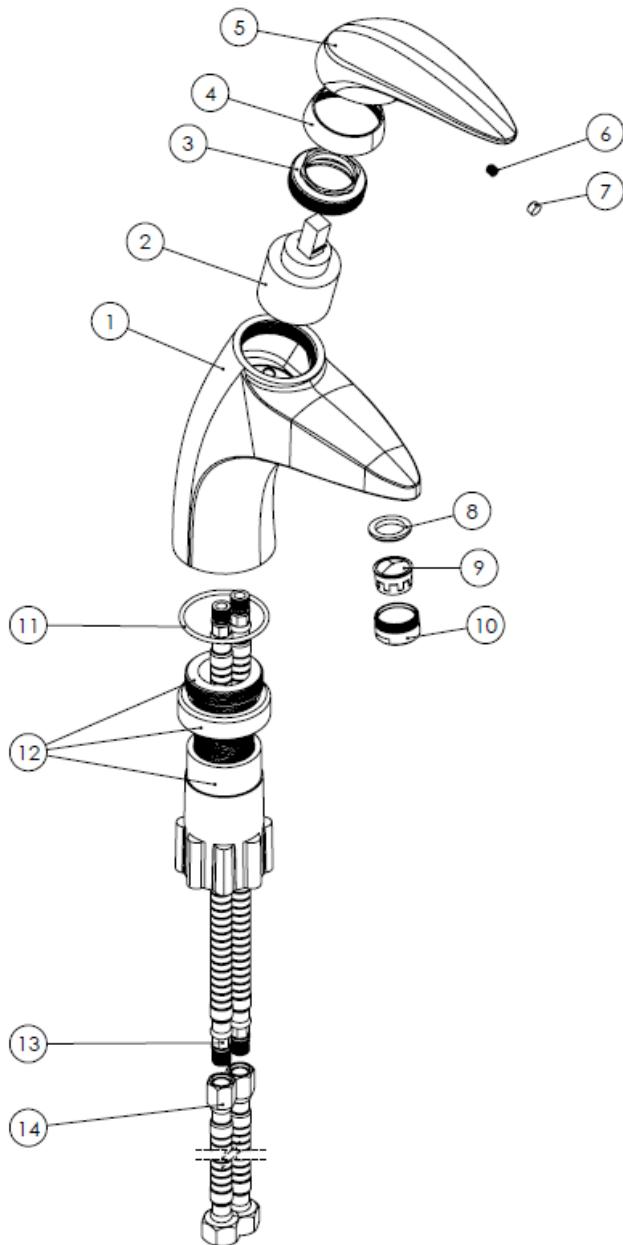
High heat and pressure resistant ceramic cartridge
Water saving perlator
Less surface sedimentation due to special body design
State-of-the-art physical vapor deposition (PVD) coating
With antibacterial feature using advanced technology
Fast and easy installation
Easily cleanable
Ergonomic structure
Cartridge size: 40mm
%100 QC

Scale Drawing



MODEL NAME SENIOR FIXED BASIN MODEL NUMBER 201060120005

Exploded Drawing



MODEL NAME SENIOR FIXED BASIN MODEL NUMBER 201060120005

Part List

No.	Item Number	Quantity used
1	304900000247	1
2	120100000017	1
3	120100000022	1
4	121600000004	1
5	305700000141	1
6	120500000099	1
7	121500000003	1
8	120300000025	1
9	121700000010	1
10	313700000002	1
11	120200000033	1
12	123500000009	1
13	121000000027	2
14	121000000040	2