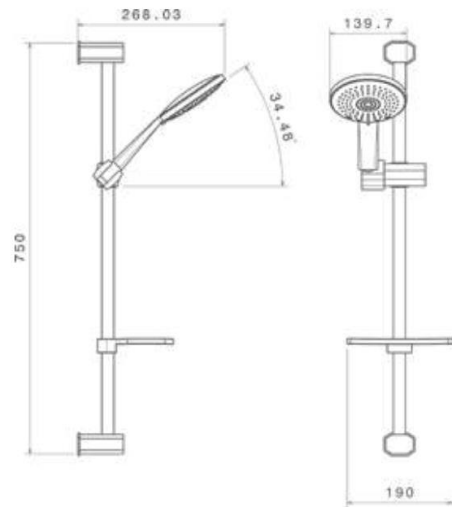


MODEL NAME SHOWER SYSTEM ARKA MODEL NUMBER 201130370005

Description

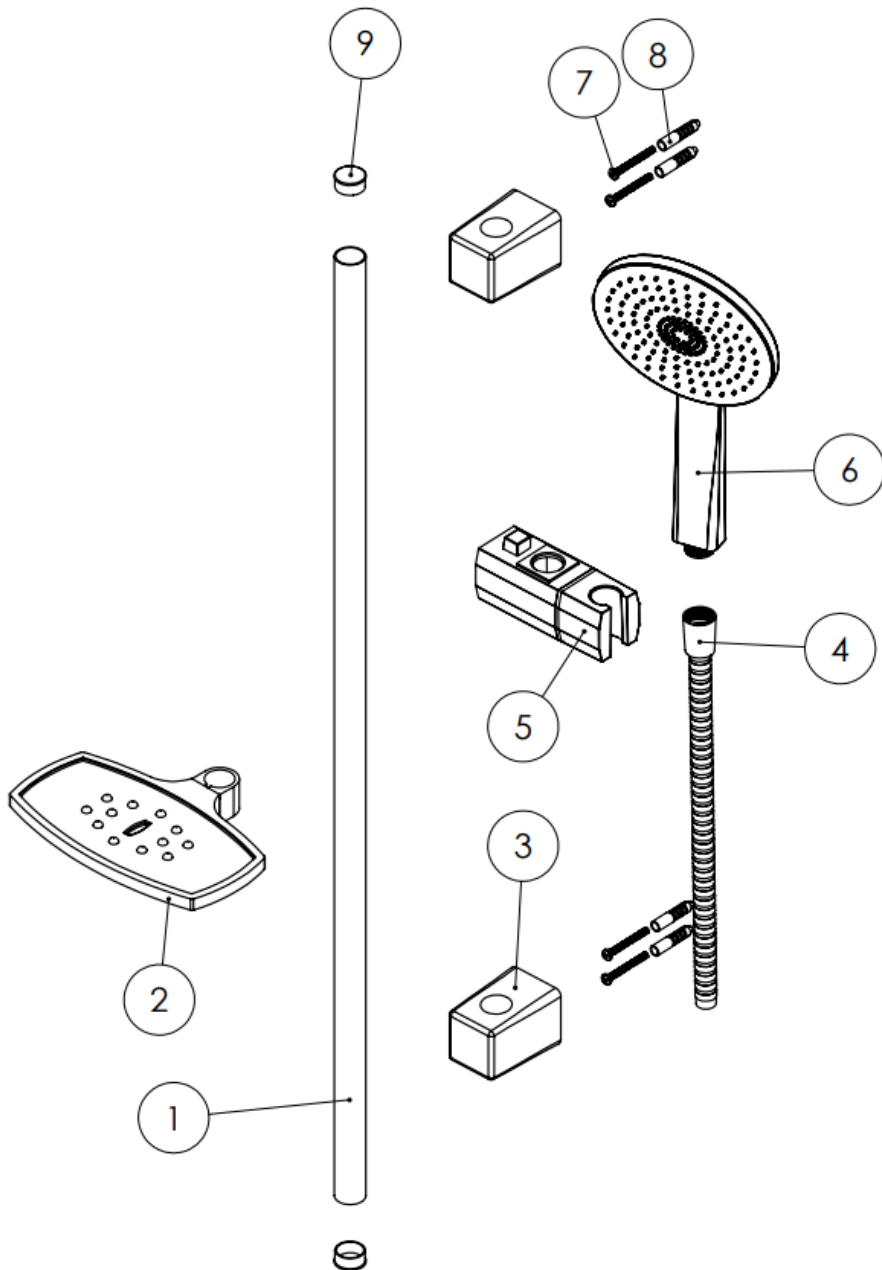
Less surface sedimentation due to special body design
State-of-the-art physical vapor deposition (PVD) coating
Shower head silicon nozzles with less sedimentation
Fast and easy installation
Ergonomic structure
%100 QC

Scale Drawing



MODEL NAME SHOWER SYSTEM ARKA MODEL NUMBER 201130370005

Exploded Drawing



MODEL NAME SHOWER SYSTEM ARKA MODEL NUMBER 201130370005

Part List

No.	Item Number	Quantity used
1	313300000013	1
2	305200000037	1
3	302800000004	2
4	121000000064	1
5	301200000002	1
6	312600000042	1
7	120500000089	4
8	900000002437	4
9	900000002281	2