

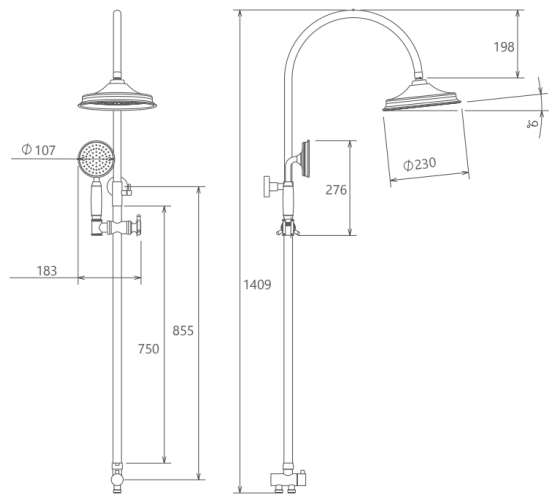
**MODEL NAME SHOWER SYSTEM
LOUBECK**

MODEL NUMBER 201130360018

Description

Less surface sedimentation due to special body design
Water saving perlator
Dual-purpose- fixed and mobile shower head
Fast and easy installation
With antibacterial feature using advanced technology
Shower head silicon nozzles with less sedimentation
Height settable for fixed and mobile shower
Easily cleanable
%100 QC

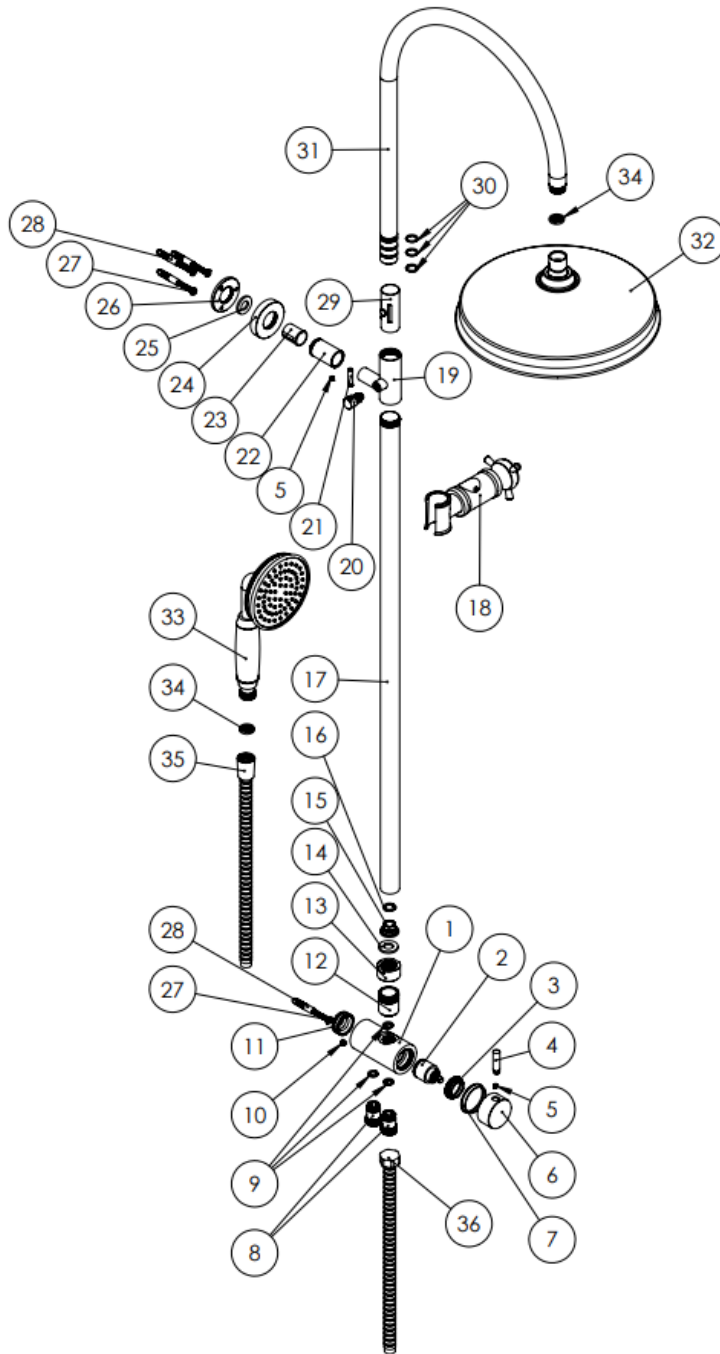
Scale Drawing



**MODEL NAME SHOWER SYSTEM
LOUBECK**

MODEL NUMBER 201130360018

Exploded Drawing



**MODEL NAME SHOWER SYSTEM
LOUBECK**

MODEL NUMBER 201130360018

Part List

No.	Item Number	Quantity used	No.	Item Number	Quantity used
1	308800000016	1	24	121900000003	1
2	120100000011	1	25	120200000051	1
3	120100000027	1	26	317100000001	1
4	305900000083	1	27	120500000089	1
5	120500000099	2	28	900000002437	4
6	316600000017	1	29	124100000003	1
7	124100000009	1	30	120200000044	3
8	317700000037	2	31	306100000038	1
9	120200000040	3	32	312600000037	1
10	120500000100	1	33	312500000052	1
11	123300000006	1	34	122100000040	2
12	317800000063	1	35	121000000064	1
13	314700000016	1	36	121000000049	1
14	120300000037	1			
15	123600000009	1			
16	120200000044	1			
17	313300000046	1			
18	301200000039	1			
19	301200000014	1			
20	316400000028	1			
21	305900000024	1			
22	313300000006	1			
23	124100000003	1			