

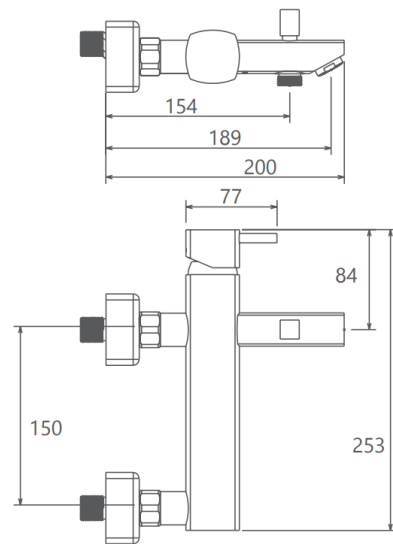
MODEL NAME UNIQUE BATH

MODEL NUMBER 201020200005

Description

High heat and pressure resistant ceramic cartridge
Water saving perlator
Less surface sedimentation due to special body design
Fast and easy installation
Easily cleanable
Ergonomic structure
Cartridge size: 35mm
%100 QC

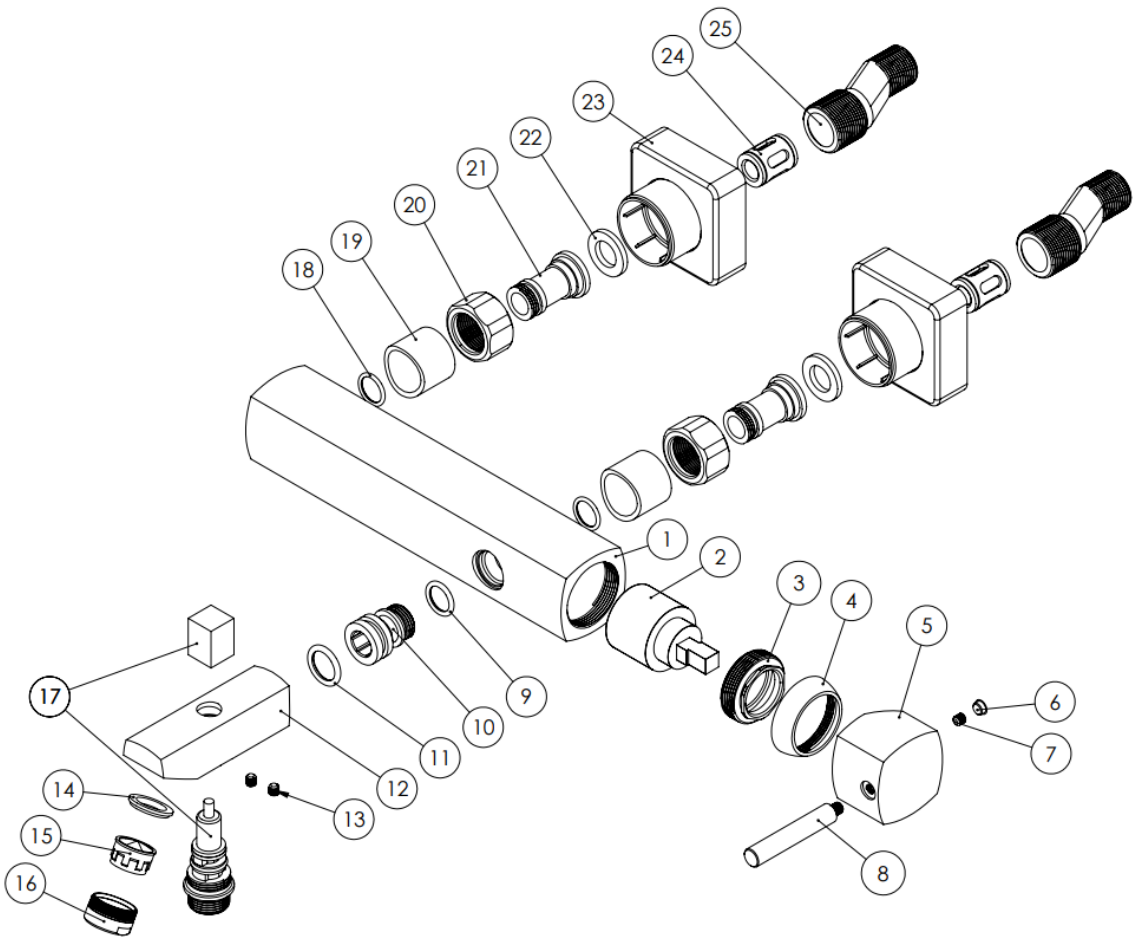
Scale Drawing



MODEL NAME UNIQUE BATH

MODEL NUMBER 20102020005

Exploded Drawing



MODEL NAME UNIQUE BATH**MODEL NUMBER 201020200005****Part List**

No.	Item Number	Quantity used	No.	Item Number	Quantity used
1	304800000194	1	24	127700000009	2
2	120100000012	1	25	122700000001	2
3	120100000024	1			
4	310800000001	1			
5	316400000087	1			
6	121500000003	1			
7	120500000099	1			
8	305900000103	1			
9	120200000043	1			
10	122100000015	1			
11	120200000076	1			
12	300400000090	1			
13	120500000100	2			
14	120300000025	1			
15	121700000002	1			
16	313700000002	1			
17	120700000012	1			
18	120200000019	2			
19	303200000046	2			
20	315100000002	2			
21	123600000004	2			
22	120300000037	2			
23	121900000011	2			