

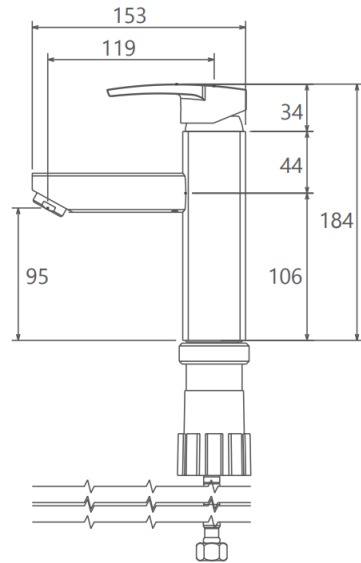
MODEL NAME UNIQUE PLUS BASIN

MODEL NUMBER 201060210005

Description

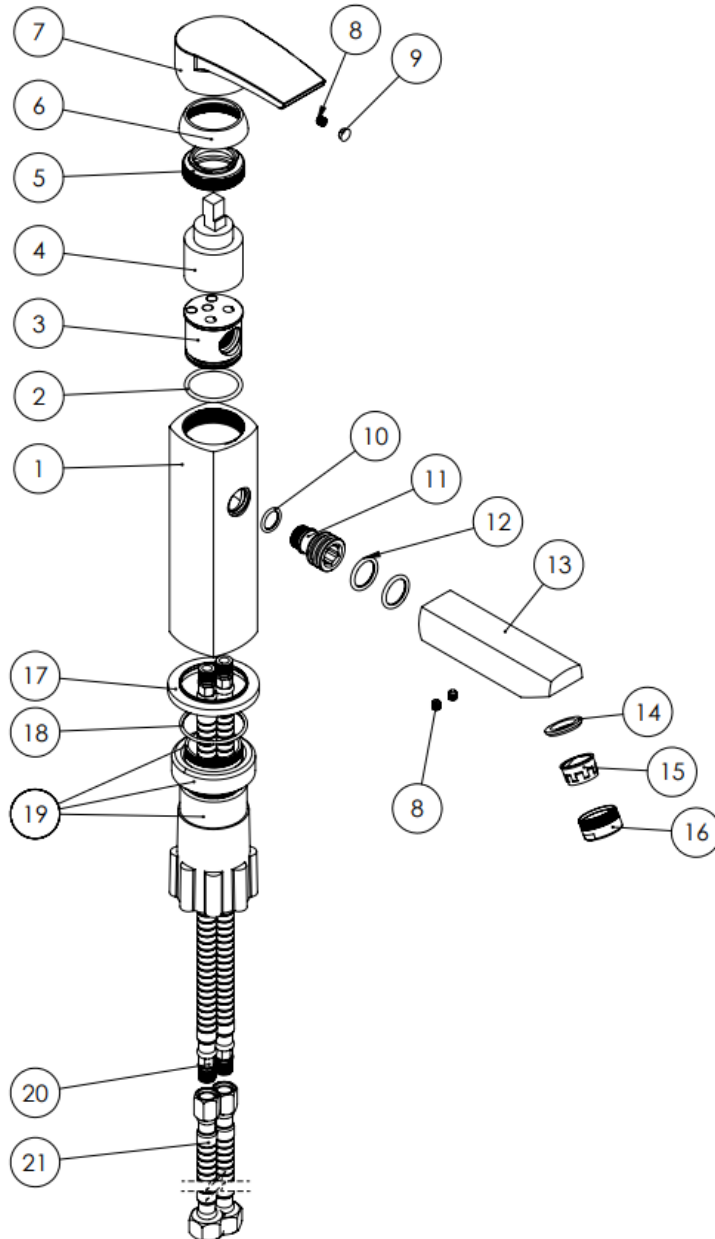
High heat and pressure resistant ceramic cartridge
Water saving perlator
Less surface sedimentation due to special body design
Electrostatic powder paint coating (THK > 100 μ)
Fast and easy installation
Easily cleanable
Ergonomic structure
Cartridge size: 35mm
%100 QC

Scale Drawing



MODEL NAME UNIQUE PLUS BASIN MODEL NUMBER 201060210005

Exploded Drawing



MODEL NAME UNIQUE PLUS BASIN MODEL NUMBER 201060210005

Part List

No.	Item Number	Quantity used
1	304900000317	1
2	120200000050	1
3	120100000004	1
4	120100000012	1
5	120100000024	1
6	310800000001	1
7	305700000093	1
8	120500000099	3
9	121500000003	1
10	120200000041	1
11	122100000023	1
12	120200000046	2
13	300400000247	1
14	120300000025	1
15	121700000010	1
16	313700000002	1
17	307000000040	1
18	120200000082	1
19	123500000009	1
20	121000000027	2
21	121000000040	2