

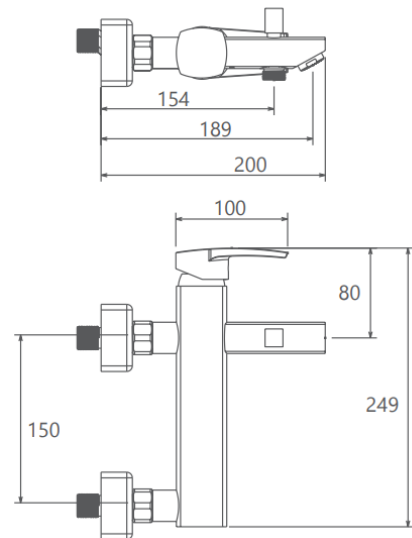
**MODEL NAME UNIQUE PLUS BATH**

**MODEL NUMBER 201020210005**

**Description**

High heat and pressure resistant ceramic cartridge  
Water saving perlator  
Less surface sedimentation due to special body design  
Electrostatic powder paint coating (THK > 100 $\mu$ )  
Fast and easy installation  
Easily cleanable  
Ergonomic structure  
Cartridge size: 35mm  
%100 QC

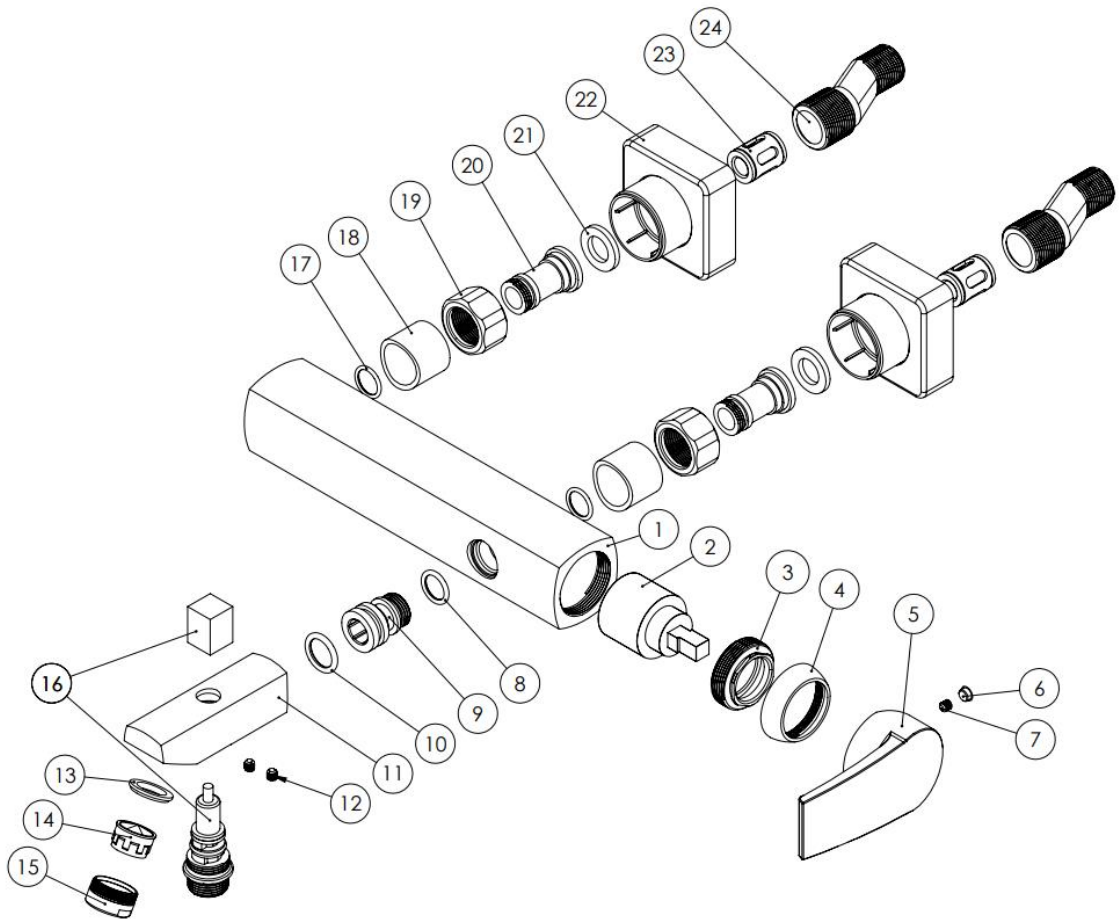
**Scale Drawing**



**MODEL NAME UNIQUE PLUS BATH**

**MODEL NUMBER 201020210005**

Exploded Drawing



**MODEL NAME UNIQUE PLUS BATH****MODEL NUMBER 201020210005****Part List**

No.	Item Number	Quantity used	No.	Item Number	Quantity used
1	304800000194	1	24	122700000001	2
2	120100000012	1			
3	120100000024	1			
4	310800000001	1			
5	305700000093	1			
6	120500000099	1			
7	121500000003	1			
8	120200000043	1			
9	122100000015	1			
10	120200000076	1			
11	300400000090	1			
12	120500000100	2			
13	120700000012	1			
14	120300000025	1			
15	121700000002	1			
16	313700000002	1			
17	120200000019	2			
18	303200000046	2			
19	315100000002	2			
20	123600000004	2			
21	120300000037	2			
22	121900000011	2			
23	127700000009	2			