

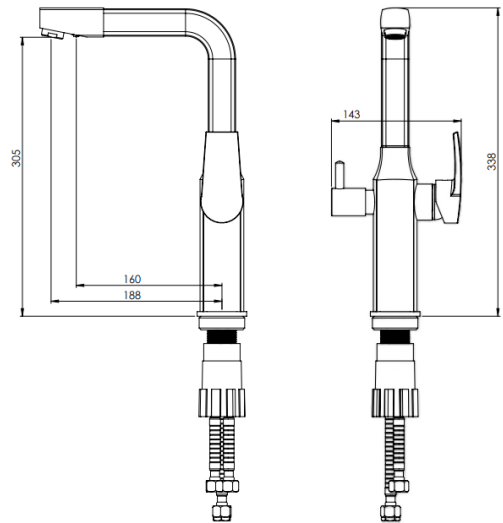
MODEL NAME **UNIQUE PLUS
KITCHEN**

MODEL NUMBER **201010210005**

Description

High heat and pressure resistant ceramic cartridge
Water saving perlator
Less surface sedimentation due to special body design
Electrostatic powder paint coating (THK > 100 μ)
Fast and easy installation
Easily cleanable
Ergonomic structure
Cartridge size: 35mm
%100 QC

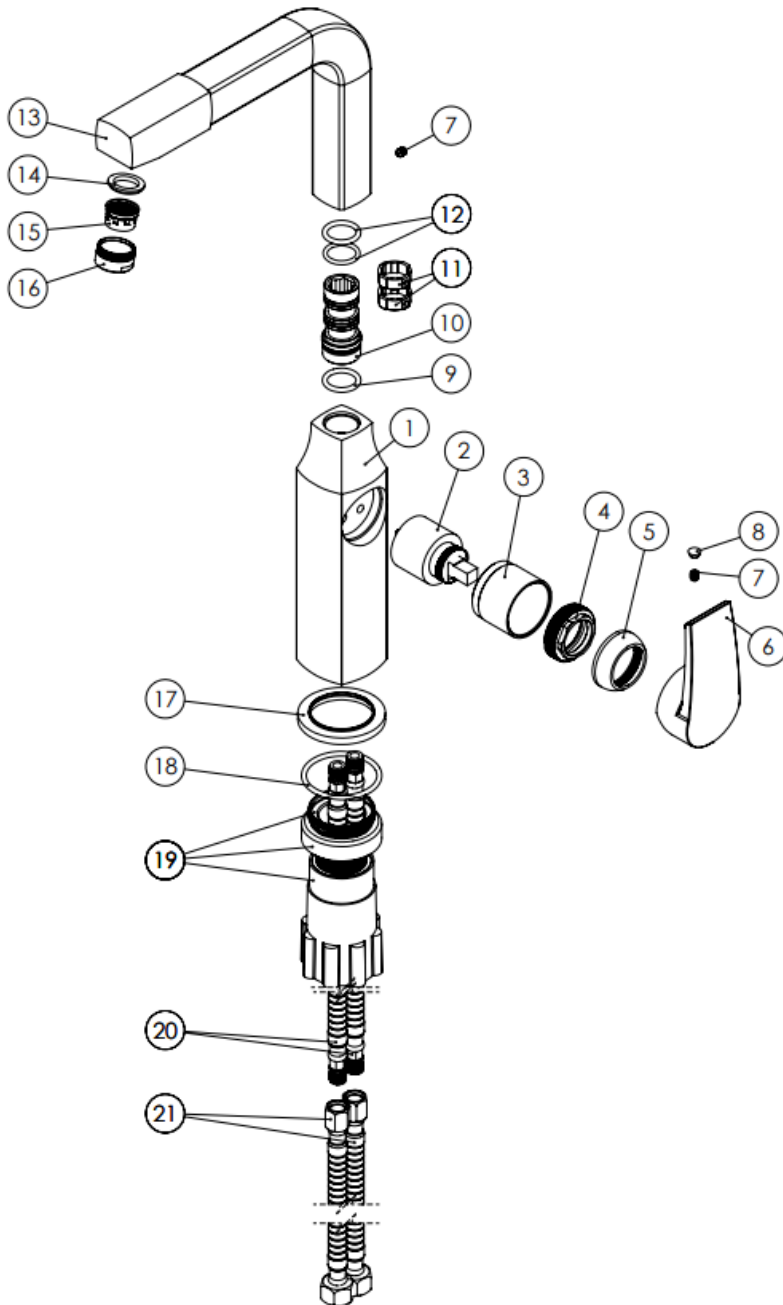
Scale Drawing



MODEL NAME **UNIQUE PLUS**
KITCHEN

MODEL NUMBER **201010210005**

Exploded Drawing



MODEL NAME **UNIQUE PLUS
KITCHEN**

MODEL NUMBER **201010210005**

Part List

No.	Item Number	Quantity used
1	304700000285	1
2	120100000012	1
3	302300000014	1
4	120100000024	1
5	310800000001	1
6	305700000093	1
7	120500000099	2
8	121500000003	1
9	120200000072	1
10	317800000035	1
11	123800000006	2
12	120200000084	2
13	302700000203	1
14	120300000025	1
15	121700000004	1
16	313700000002	1
17	307000000040	1
18	120200000082	1
19	123500000010	1
20	121000000027	2
21	121000000040	2