

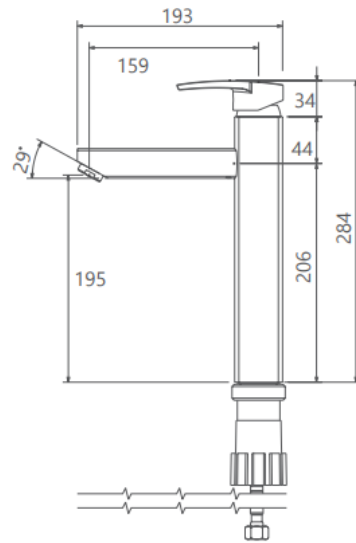
MODEL NAME **UNIQUE PLUS TALL
BASIN**

MODEL NUMBER **201050210005**

Description

High heat and pressure resistant ceramic cartridge
Water saving perlator
Less surface sedimentation due to special body design
Electrostatic powder paint coating (THK > 100 μ)
Fast and easy installation
Easily cleanable
Ergonomic structure
Cartridge size: 35mm
%100 QC

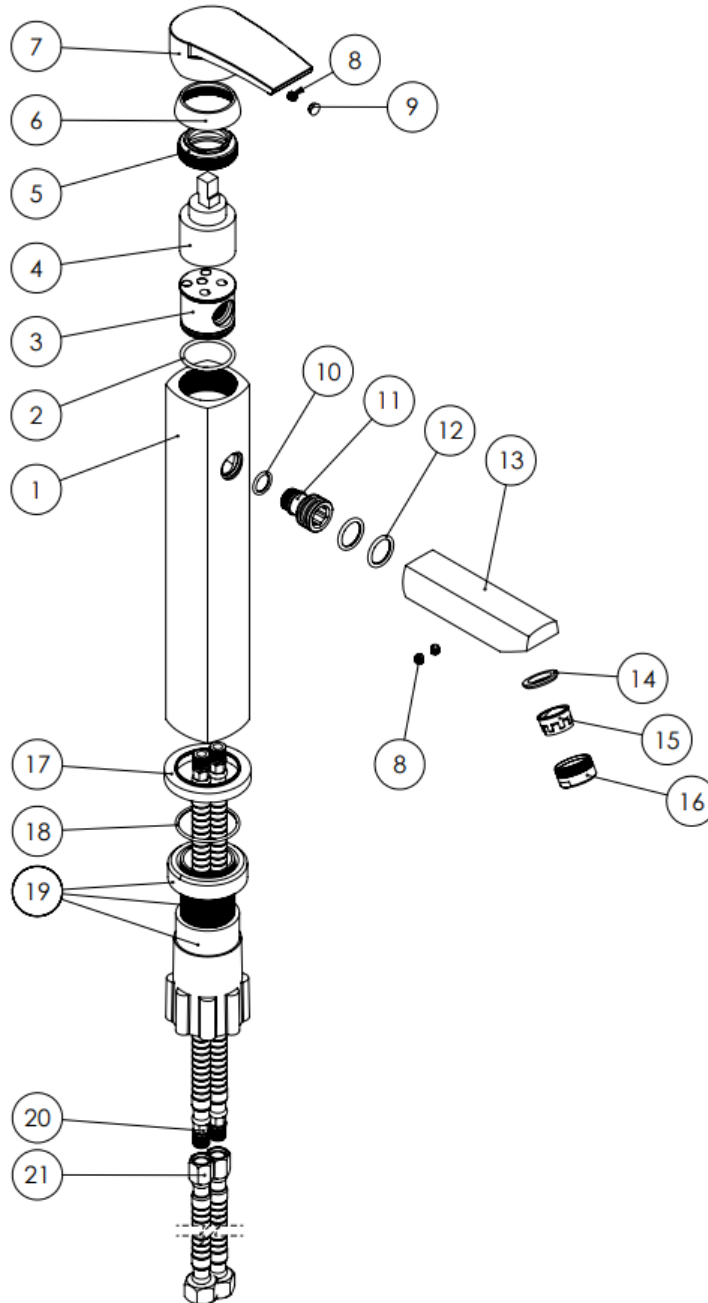
Scale Drawing



**MODEL NAME UNIQUE PLUS TALL
BASIN**

MODEL NUMBER 201050210005

Exploded Drawing



**MODEL NAME UNIQUE PLUS TALL
BASIN****MODEL NUMBER 201050210005****Part List**

No.	Item Number	Quantity used
1	304900000186	1
2	120200000050	1
3	120100000004	1
4	120100000012	1
5	120100000024	1
6	310800000001	1
7	305700000093	1
8	120500000099	3
9	121500000003	1
10	120200000041	1
11	122100000023	1
12	120200000046	2
13	300400000172	1
14	120300000025	1
15	121700000010	1
16	313700000002	1
17	307000000040	1
18	120200000082	1
19	123500000009	1
20	121000000030	2
21	121000000040	2