

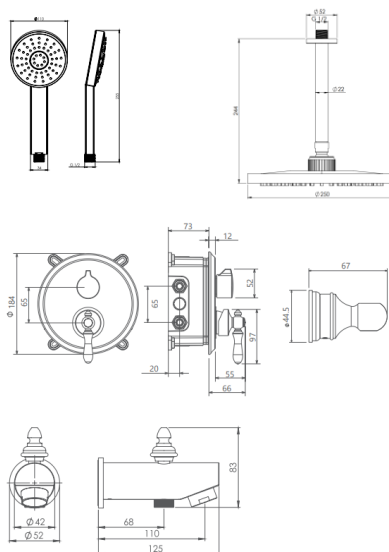
**MODEL NAME ZIGMOND BATH-TYPE 4-ABS**

**MODEL NUMBER 202150411219**

**Description**

High heat and pressure resistant ceramic cartridge  
 Fast and easy installation  
 Shower head silicon nozzles with less sedimentation  
 Concealed showers, offered in two wall and/or ceiling mounted types  
 Access to interior parts without damaging the wall  
 Flexible for layout  
 Less space occupancy  
 Easily cleanable  
 Ergonomic structure  
 Cartridge size: 35 mm  
 %100 QC

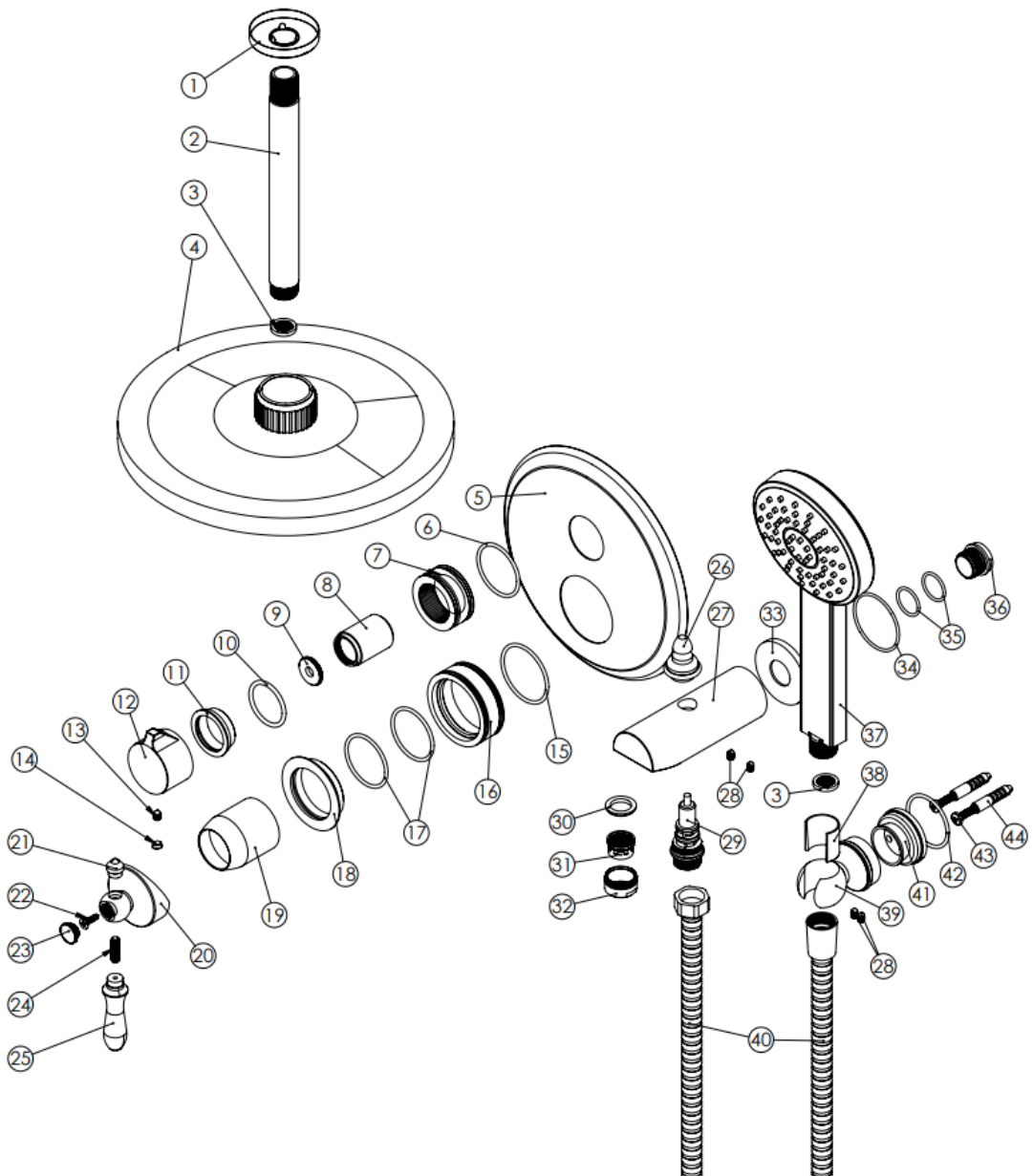
**Scale Drawing**



**MODEL NAME ZIGMOND BATH-TYPE 4-ABS**

**MODEL NUMBER 202150411219**

Exploded Drawing



**MODEL NAME ZIGMOND BATH-TYPE 4-ABS      MODEL NUMBER 202150411219**

### Part List

No.	Item Number	Quantity used	No.	Item Number	Quantity used
1	309900000038	1	24	120500000097	1
2	313200000001	1	25	305900000030	1
3	120300000023	1	26	305700000149	1
4	312600000029	1	27	300400000258	1
5	303500000024	1	28	120500000100	4
6	120200000031	1	29	120700000006	1
7	124100000005	1	30	120300000024	1
8	302200000004	1	31	121700000003	1
9	124100000004	1	32	313700000010	1
10	120200000025	1	33	307100000002	1
11	301400000001	1	34	120200000028	1
12	305900000056	1	35	120200000049	2
13	120500000099	1	36	122100000013	1
14	121500000003	1	37	312500000035	1
15	120200000068	1	38	1 221000000033	1
16	124100000006	1	39	302600000001	1
17	120200000061	1	40	121000000064	1
18	301500000007	1	41	306800000001	1
19	311500000001	1	42	120200000033	1
20	305900000113	1	43	90000001829	2
21	304200000002	1	44	90000002438	2
22	120500000078	1			
23	312100000001	1			