

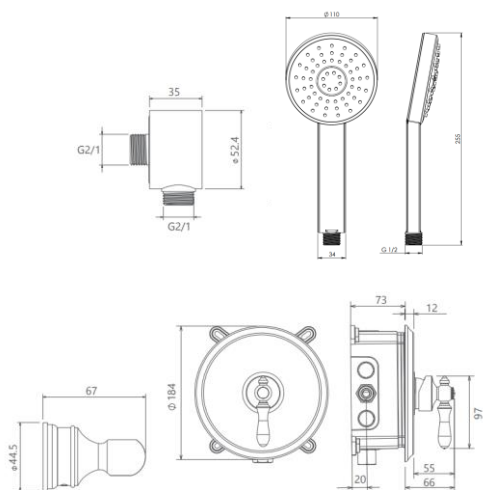
MODEL NAME ZIGMOND BATH-TYPE 2-ABS

MODEL NUMBER 202150410619

Description

High heat and pressure resistant ceramic cartridge
 Fast and easy installation
 Shower head silicon nozzles with less sedimentation
 Concealed showers, offered in two wall and/or ceiling mounted types
 Access to interior parts without damaging the wall
 Flexible for layout
 Less space occupancy
 Easily cleanable
 Ergonomic structure
 Cartridge size: 35 mm
 %100 QC

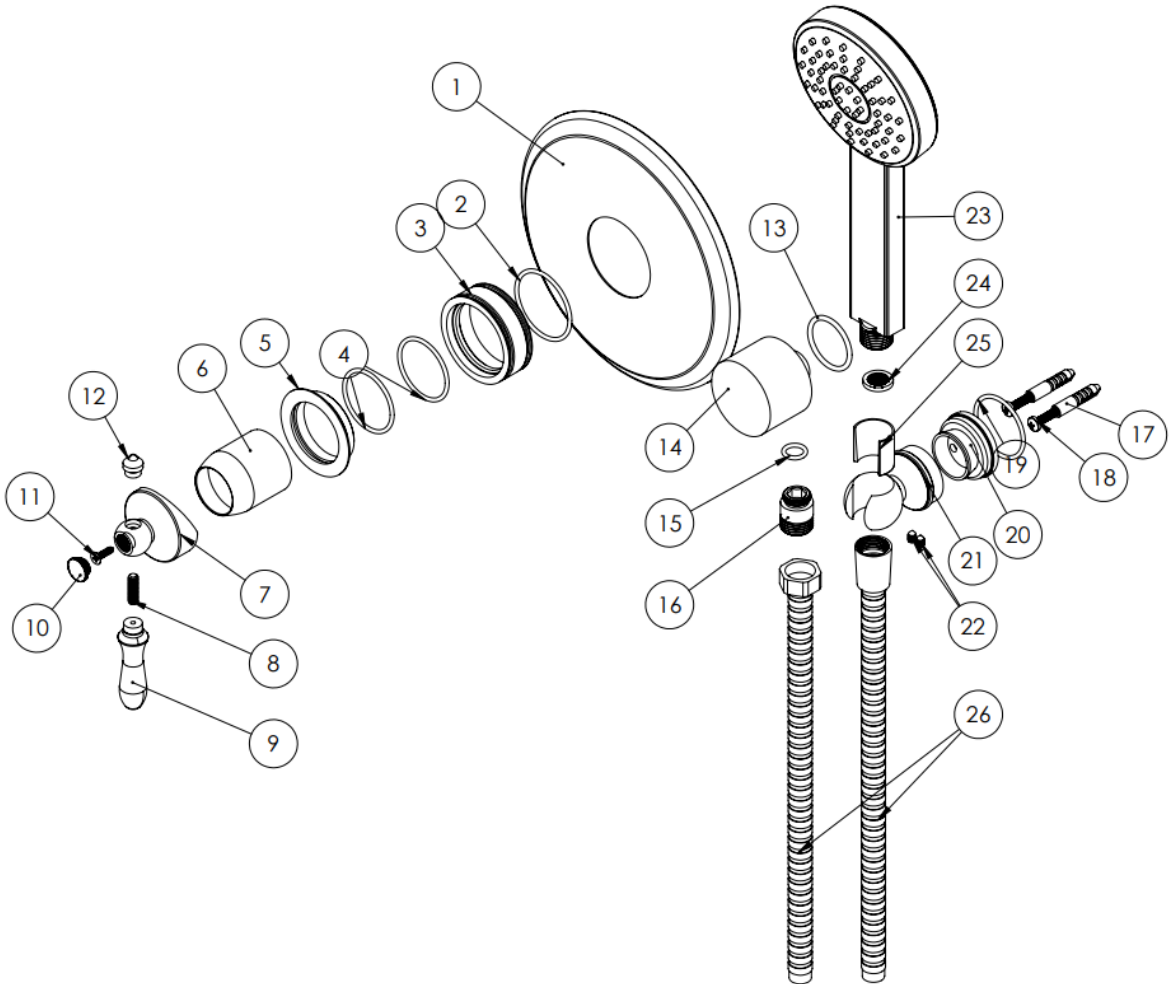
Scale Drawing



MODEL NAME ZIGMOND BATH-TYPE 2-ABS

MODEL NUMBER 202150410619

Exploded Drawing



MODEL NAME ZIGMOND BATH-TYPE 2- ABS MODEL NUMBER 202150410619

Part List

No.	Item Number	Quantity used	No.	Item Number	Quantity used
1	303400000023	1	24	120300000023	1
2	120200000068	1	25	1 22100000033	1
3	124100000006	1	26	121000000064	1
4	120200000061	1			
5	301500000007	1			
6	311500000001	1			
7	305900000113	1			
8	120500000097	1			
9	305900000030	1			
10	312100000001	1			
11	120500000078	1			
12	304200000002	1			
13	120200000080	1			
14	309400000001	1			
15	120200000043	1			
16	317700000005	1			
17	900000002438	2			
18	900000001829	2			
19	120200000028	1			
20	306800000001	1			
21	302600000001	1			
22	120500000100	2			
23	312500000035	1			