

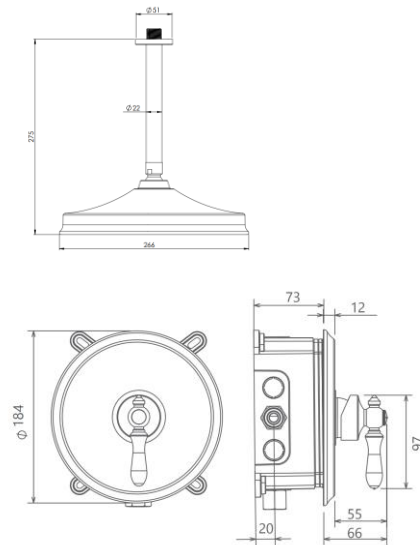
MODEL NAME ZIGMOND BATH-TYPE1

MODEL NUMBER 202150410119

Description

High heat and pressure resistant ceramic cartridge
Fast and easy installation
Shower head silicon nozzles with less sedimentation
Concealed showers, offered in two wall and/or ceiling mounted types
Access to interior parts without damaging the wall
Flexible for layout
Less space occupancy
Easily cleanable
Ergonomic structure
Cartridge size: 35 mm
%100 QC

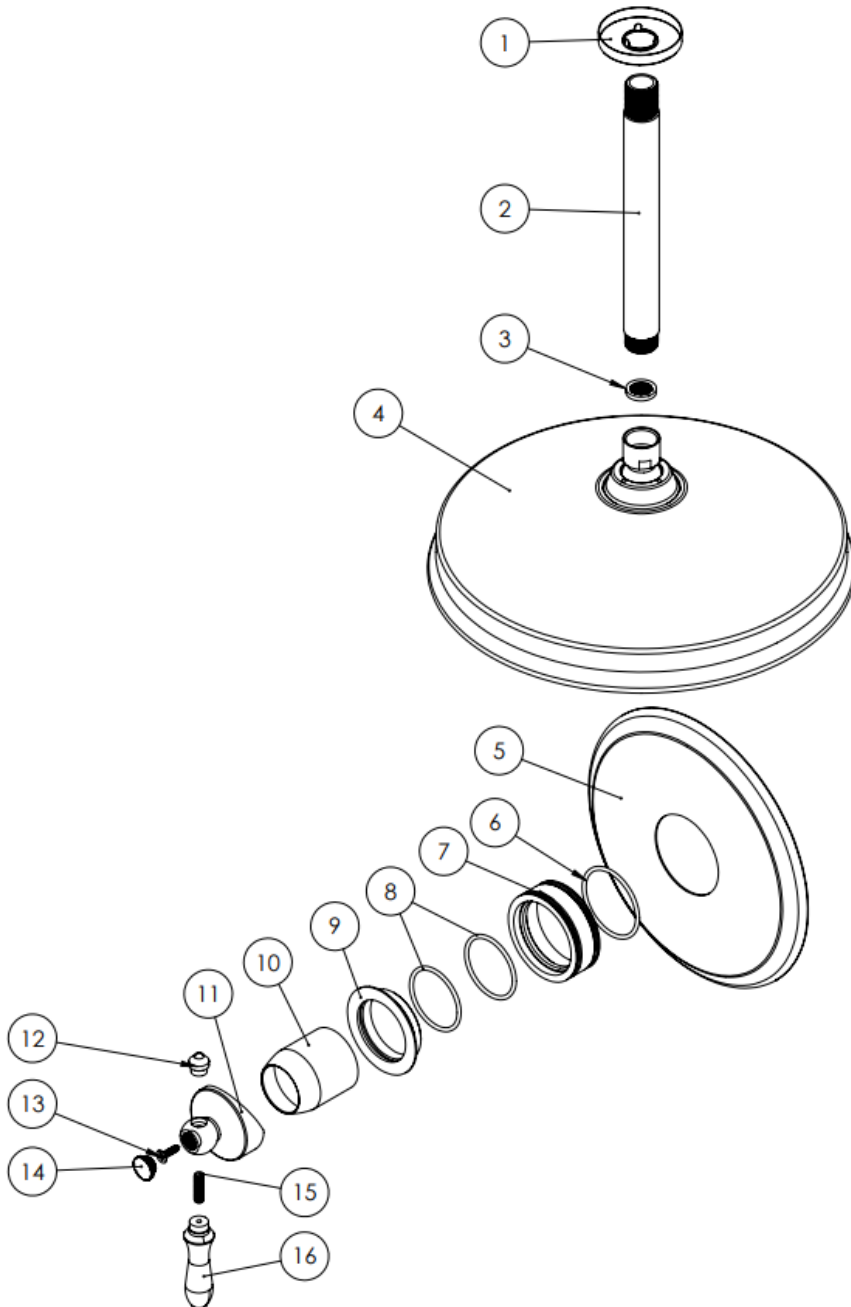
Scale Drawing



MODEL NAME ZIGMOND BATH-TYPE1

MODEL NUMBER 202150410119

Exploded Drawing



MODEL NAME ZIGMOND BATH-TYPE1**MODEL NUMBER 202150410119****Part List**

No.	Item Number	Quantity used
1	309900000038	1
2	313200000001	1
3	120300000023	1
4	312600000037	1
5	303400000023	1
6	120200000068	1
7	124100000006	1
8	120200000061	2
9	301500000007	1
10	311500000001	1
11	305900000113	1
12	304200000002	1
13	120500000078	1
14	312100000001	1
15	120500000097	1
16	120500000097	1