

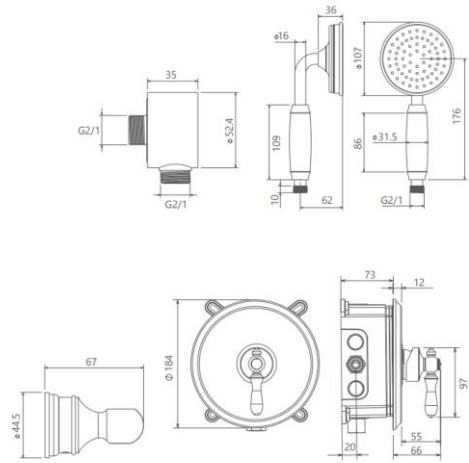
**MODEL NAME ZIGMOND BATH-TYPE2**

**MODEL NUMBER 202150410519**

### Description

High heat and pressure resistant ceramic cartridge  
Fast and easy installation  
Shower head silicon nozzles with less sedimentation  
Concealed showers, offered in two wall and/or ceiling mounted types  
Access to interior parts without damaging the wall  
Flexible for layout  
Less space occupancy  
Easily cleanable  
Ergonomic structure  
Cartridge size: 35 mm  
%100 QC

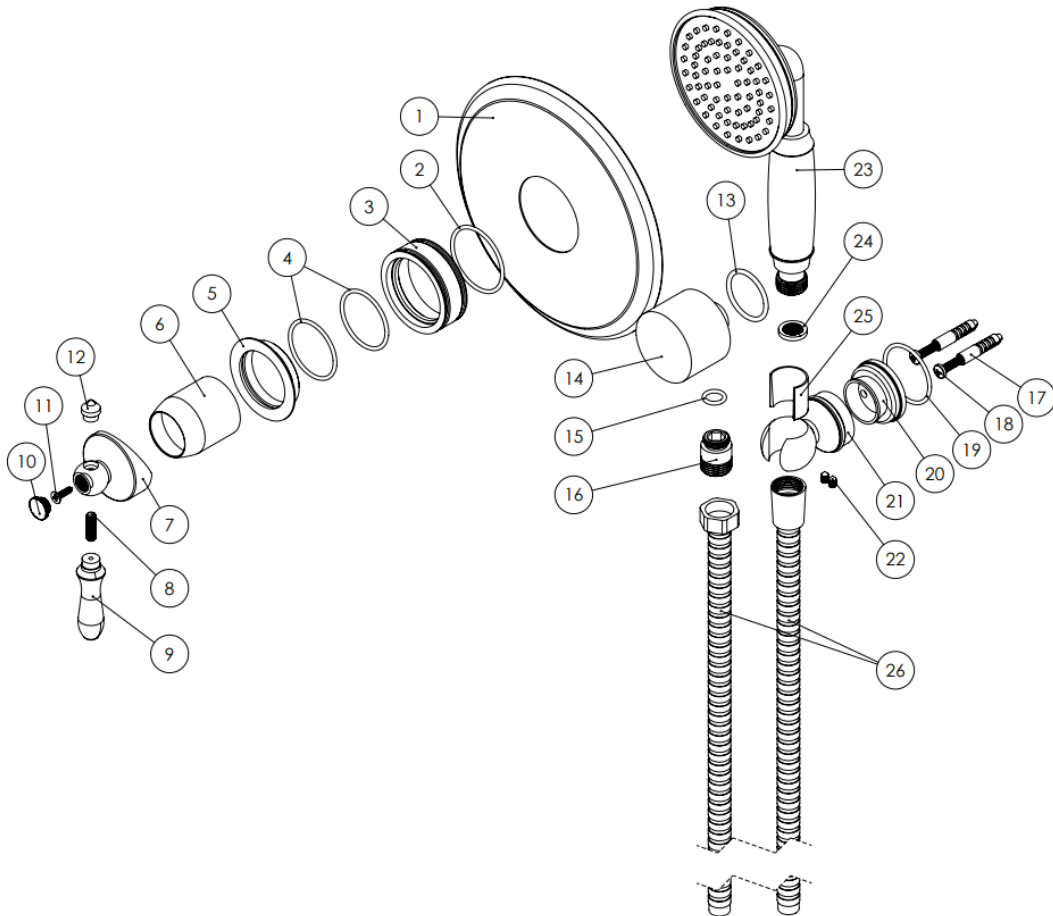
### Scale Drawing



**MODEL NAME ZIGMOND BATH-TYPE2**

**MODEL NUMBER 202150410519**

Exploded Drawing



**MODEL NAME ZIGMOND BATH-TYPE2****MODEL NUMBER 202150410519****Part List**

No.	Item Number	Quantity used	No.	Item Number	Quantity used
1	303400000023	1	24	120300000023	1
2	120200000068	1	25	1 22100000033	1
3	124100000006	1	26	121000000064	1
4	120200000061	2			
5	301500000007	1			
6	311500000001	1			
7	305900000113	1			
8	120500000097	1			
9	305900000030	1			
10	312100000001	1			
11	120500000078	1			
12	304200000002	1			
13	120200000080	1			
14	309400000001	1			
15	120200000043	1			
16	317700000005	1			
17	900000002438	2			
18	900000001829	2			
19	120200000028	1			
20	306800000001	1			
21	302600000001	1			
22	120500000100	2			
23	312500000052	1			