

8

7

6

5

4

3

2

1

F

E

D

C

B

A

F

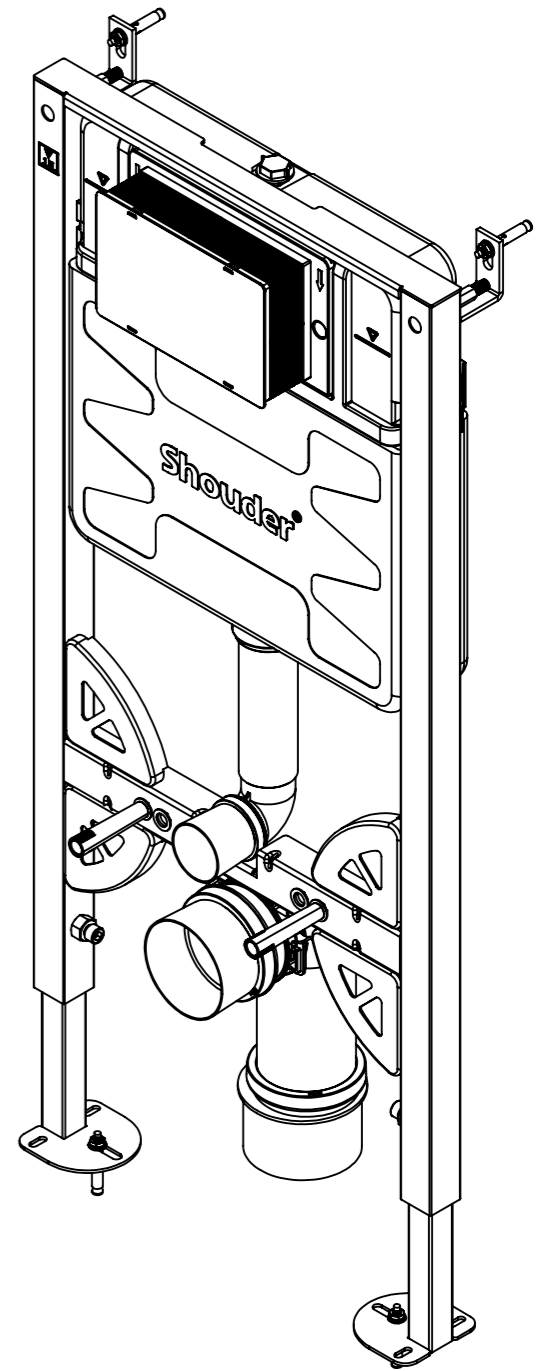
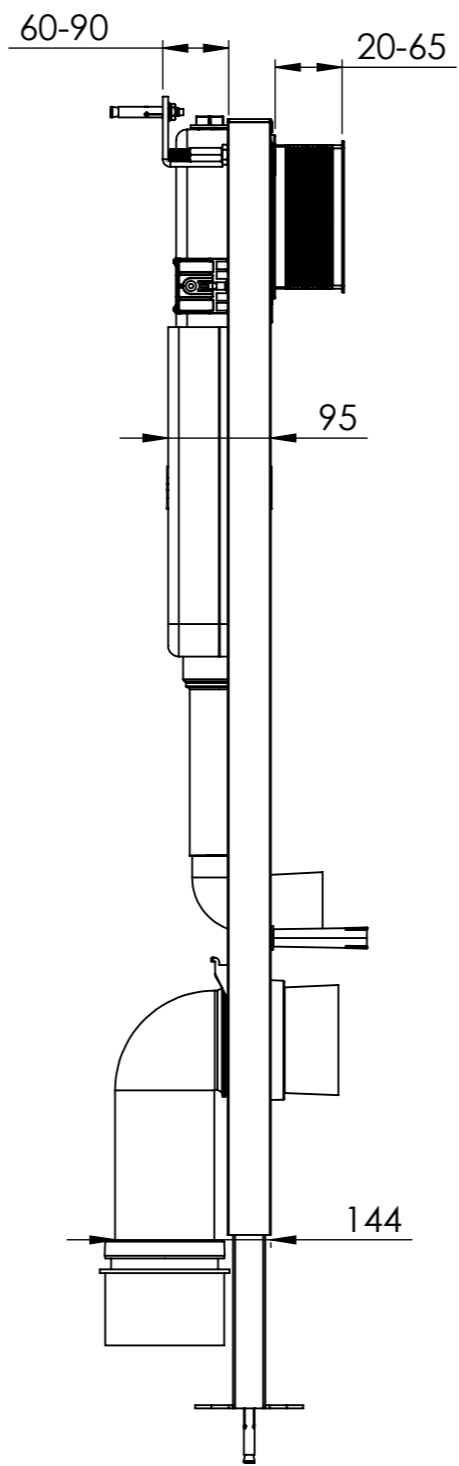
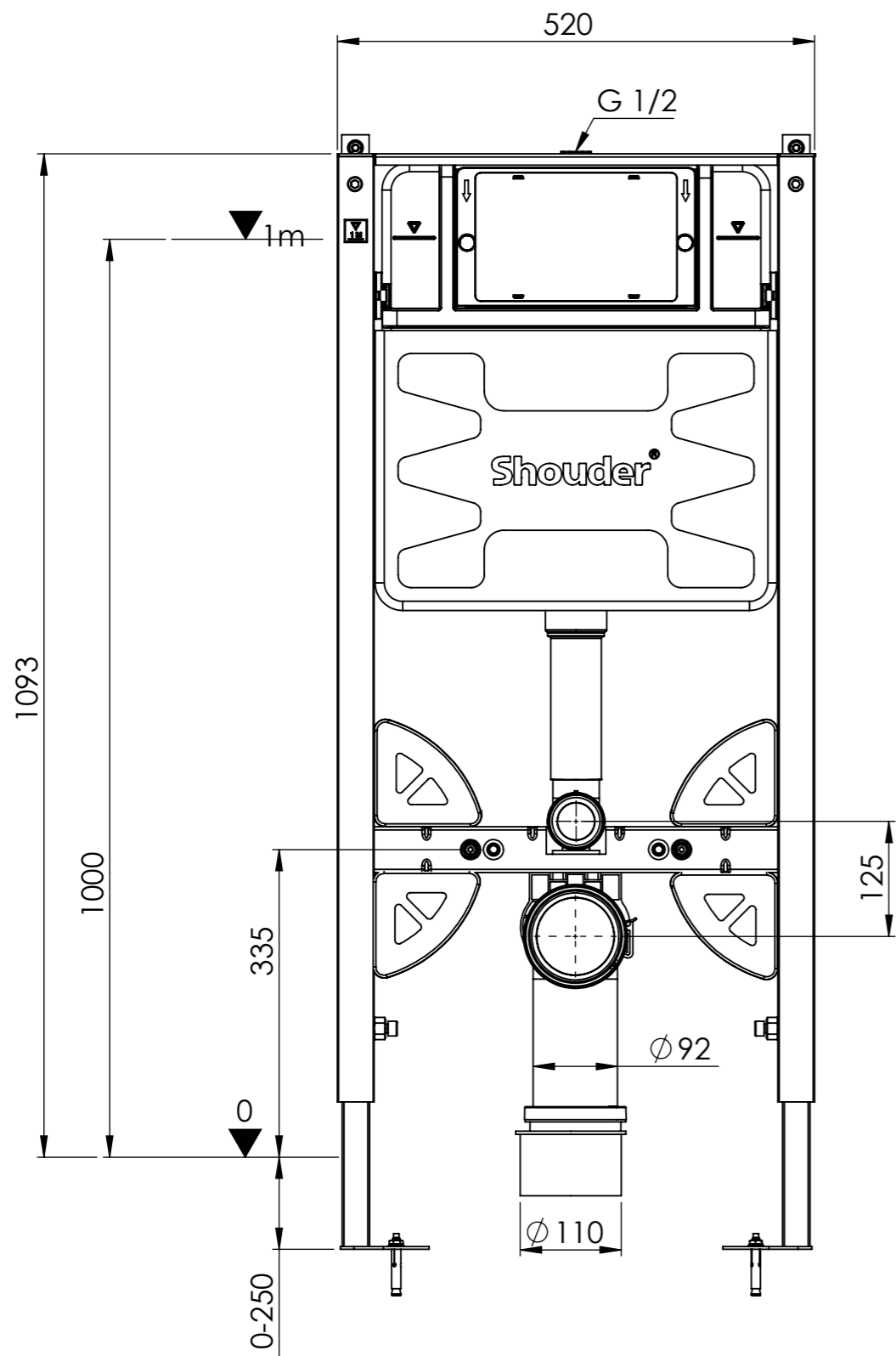
E

D

C

B

A



NAME	DATE	SIGNATURE	DIMENSIONS ARE IN MM		Shouder®		
DRAWN :			SURFACE FINISH: \sqrt{Ra}				
			Tolerance ISO 2768-m		Part Name:		
CHK'D :			0.5-6	±0.1	Asm Flush Tank Wall hung Genova-B		
En_Mirzaei			6-30	±0.2			
			30-120	±0.3			
APPV'D :			120-400	±0.5	SYS. Code:	DWG NO.	REVISION
M_M_Raftari							A3
MATERIAL:	WEIGHT:		SCALE: FREE		Process:		SHEET 1 OF 1

8

7

6

5

4

3

2

1